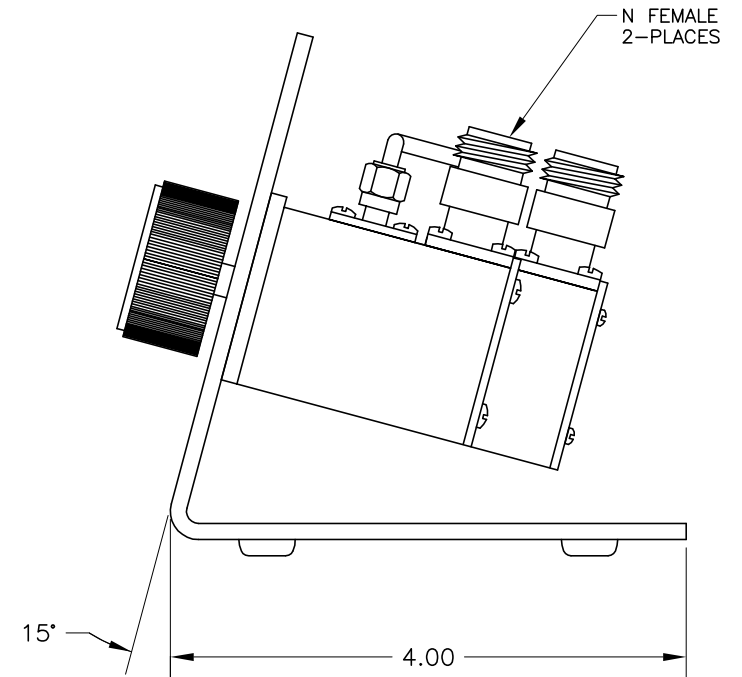


KNOB SCREENING PER MODEL - 0-81dB SHOWN



NOTE: AVAILABLE WITH BNC, N, SMA, OR TNC CONNECTORS

JFW INDUSTRIES, INC. INDIANAPOLIS, IN						PROPRIETARY INFORMATION ALL SURFACES ARE TO BE FREE OF BURRS, PITS, & SCRATCHES		
REV	ECN	DATE	BY	DRAWN BY	B. ZEIHEN	DATE	9-30-03	TOLERANCES
A	2307	1-3-89	TEZ	APP'D BY		SCALE	FULL	FRACTIONAL DIM: ± 1/64
B	7562	9-30-03	BZ	MATERIAL	ALUMINUM ALLOY			2 PLACE DECIMAL ± .010
C	10840	3-16-05	LT	FINISH	CHEMFILM TCP			3 PLACE DECIMAL ± .005
D	12635	4-20-06	ETW	DESCRIPTION	XXBR-XXX: BENCH ROTARY ATTEN.			ANGULAR DIM: ± 1/2°
								DWG NO. 092-1085