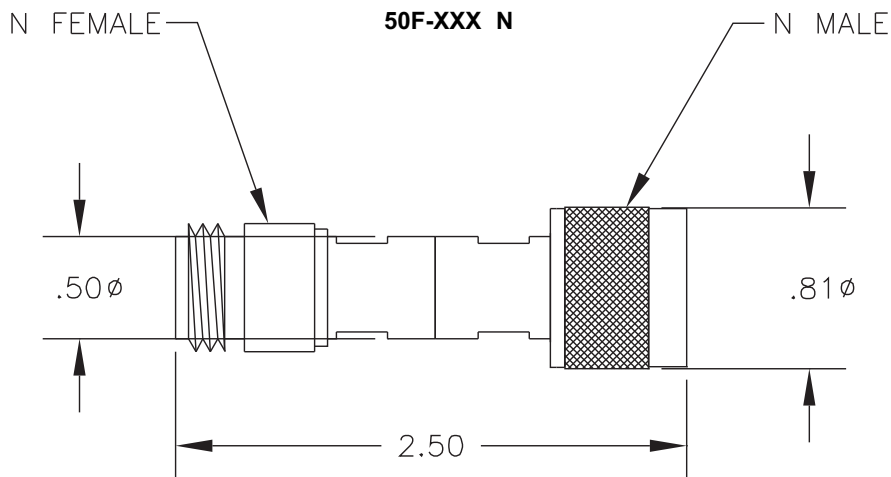
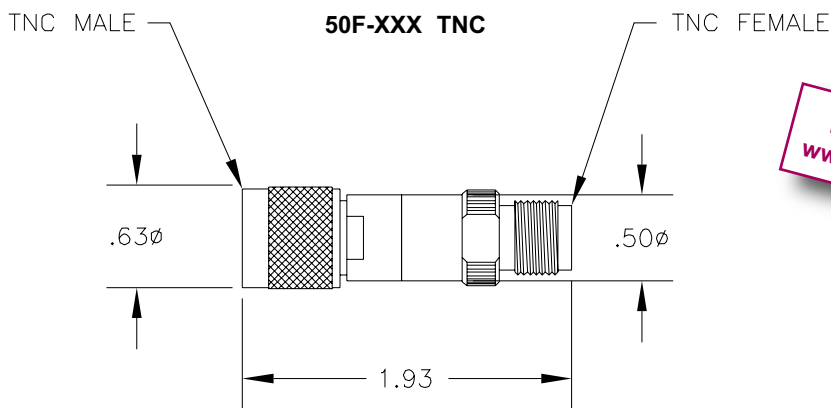
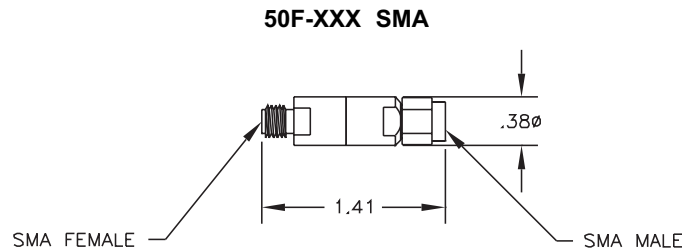
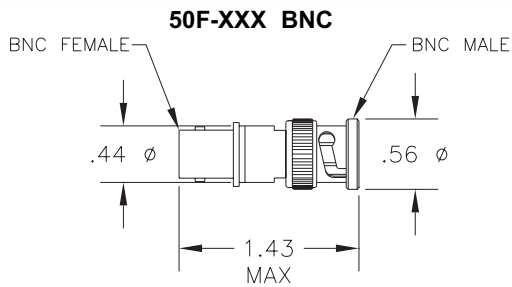


# 1 Watt Fixed Attenuators F Series

Model	Frequency Range	Attenuation Values *	Attenuation Accuracy (maximum)	VSWR (maximum)	RF Connectors
50F-XXX	DC-2200 MHz	1 thru 20 dB in any 1 dB increment	+/- 0.5 dB DC-1000 MHz +/- 0.8 dB 1000-2200 MHz	1.2:1 DC-1000 MHz 1.4:1 1000-2200 MHz	BNC, TNC, SMA or N
50F-XXX	DC-1000 MHz	21 thru 30 dB in any 1 dB increment	+/- 0.5 dB or 2%	1.2:1	BNC, TNC, SMA or N

\* (XXX) insert attenuation value

Common Specifications			
Impedance	Input Power (average)	Peak Power	Operating Temperature
50 Ohms	1 Watt	1000 Watts	-55° C to +125° C



**BUY ONLINE AT**  
[www.jfwindustries.com](http://www.jfwindustries.com)

This represents only 10% of our products. For YOUR application, contact JFW at 1-877-887-4JFW or sales@jfwindustries.com