

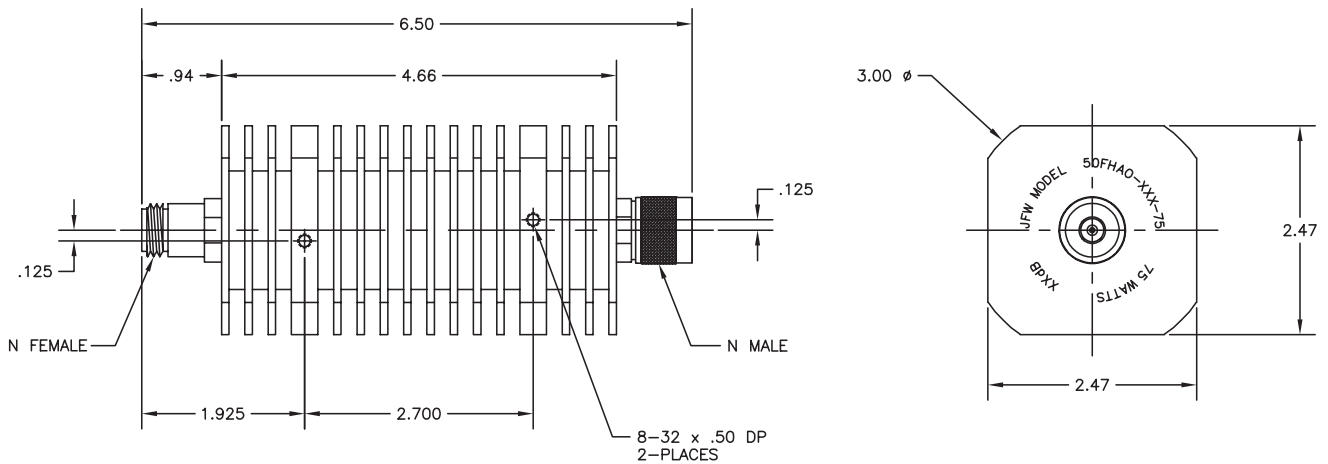
# 75 & 100 Watt Fixed Attenuator FHAO Series

Model	Frequency Range	Attenuation Values *	Attenuation Accuracy	VSWR (maximum)	RF Connectors
50FHAO-XXX-75	DC-3000 MHz	1 thru 50 dB in any 1 dB increment	± 0.5 dB	1.4:1 (1-14 dB) 1.3:1 (15-50 dB)	BNC, N, SMA, TNC or 7/16
50FHAO-XXX-100	DC-3000 MHz	1 thru 50 dB in any 1 dB increment	± 0.5 dB	1.4:1 (1-14 dB) 1.3:1 (15-50 dB)	N or 7/16

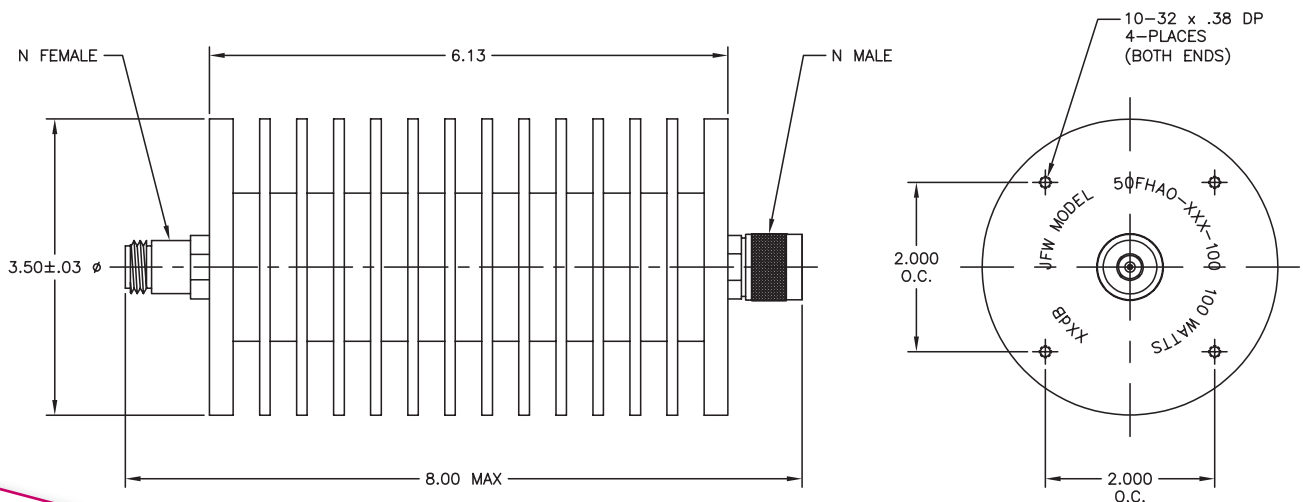
\* (XXX) insert attenuation value

Model	Impedance	Input Power (average)	Peak Power	Operating Temperature
50FHAO-XXX-75	50 Ohms	75 Watts @ +25° C (derate to 37.5 Watts @ +85° C)	1000 Watts	-55° C to +100° C
50FHAO-XXX-100	50 Ohms	100 Watts @ +25° C (derate to 50 Watts @ +85° C)	1000 Watts	-55° C to +100° C

## 50FHAO-XXX-75



## 50FHAO-XXX-100



**BUY ONLINE AT**  
[www.jfwindustries.com](http://www.jfwindustries.com)

This catalog represents less than 5% of our products. For your application, contact us at [sales@jfwindustries.com](mailto:sales@jfwindustries.com)