

**LOW COST!**

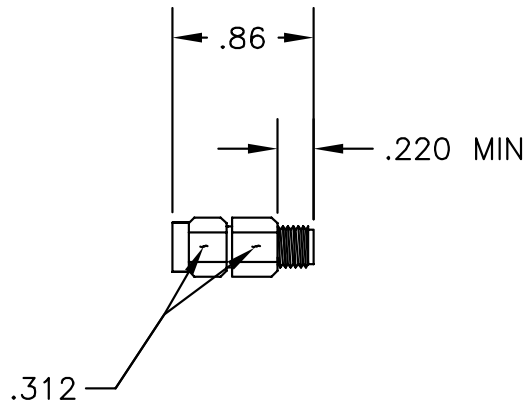
# DC-6 GHz Fixed Attenuators

Model	Frequency Range	Attenuation Values *	Attenuation Accuracy (maximum)	VSWR (maximum)	RF Connectors
50HB-XX	DC-6000 MHz	1-12, 15, 20 & 30 dB	± 0.5 dB (1-20 dB) ± 0.75 dB (30 dB)	1.15:1 DC-2.5 GHz 1.20:1 2.5-6 GHz (1-6 dB) 1.25:1 2.5-6 GHz (7-12 dB) 1.30:1 2.5-6 GHz (15, 20 dB) 1.35:1 2.5-6 GHz (30 dB)	SMA
50HN-XX	DC-6000 MHz	1, 3, 6, 10, 20 & 30 dB	± 0.30 dB (1, 3 & 6 dB) ± 0.50 dB (10 dB) ± 0.75 dB (20 dB) ± 1.00 dB (30 dB)	1.25:1	N

\* (XXX) insert attenuation value

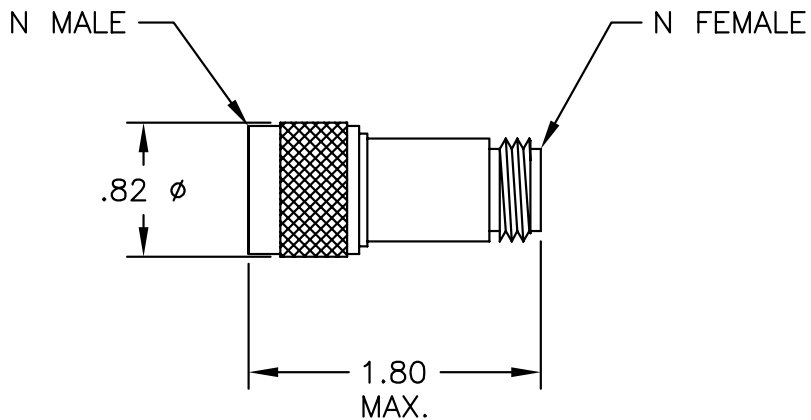
Common Specifications			
Impedance	Input Power (average)	Peak Power	Operating Temperature
50 Ohms	2 Watts @ +25° C Derate to 0.5 Watts @ +125° C	200 Watts (5 microsecond pulse, 0.1% duty cycle)	-65° C to +125° C

## 50HB-XX SMA



**BUY ONLINE AT**  
[www.jfwindustries.com](http://www.jfwindustries.com)

## 50HN-XX N



This catalog represents less than 5% of our products. For your application, contact us at [sales@jfwindustries.com](mailto:sales@jfwindustries.com)