

**SPECIFICATION SHEET**

**JFW MODEL 50HF-XXX-100/6**

**FIXED ATTENUATOR UNI-DIRECTIONAL**

JFW Industries, Inc.  
Phone: 317-887-1340  
sales@jfwindustries.com  
www.jfwindustries.com

Frequency Range DC-6 GHz

Impedance 50 Ohms nominal

Attenuation Values 3, 6, 10, 20, 30 and 40 dB

VSWR 1.25:1 maximum DC-1500 MHz  
1.35:1 maximum 1500-2500 MHz  
1.45:1 maximum 2500-6000 MHz

Attenuation Accuracy	DC-1.5GHz	1.5-2.5GHz	2.5-6GHz
3, 6 dB	±0.50 dB	±0.50 dB	±0.75 dB
10 dB	±0.75 dB	±0.75 dB	±2.50 dB
20, 30 dB	±0.75 dB	±1.00 dB	±1.50 dB
40 dB	±1.50 dB	±1.50 dB	±2.50 dB

RF Input Power 100 Watts average - Input side  
Derate linearly to 20 Watts @ +125°C

20 Watts average - Output side

Mounting Directions Mount heat sink fins vertically.  
Provide space for free air convection flow to occur.

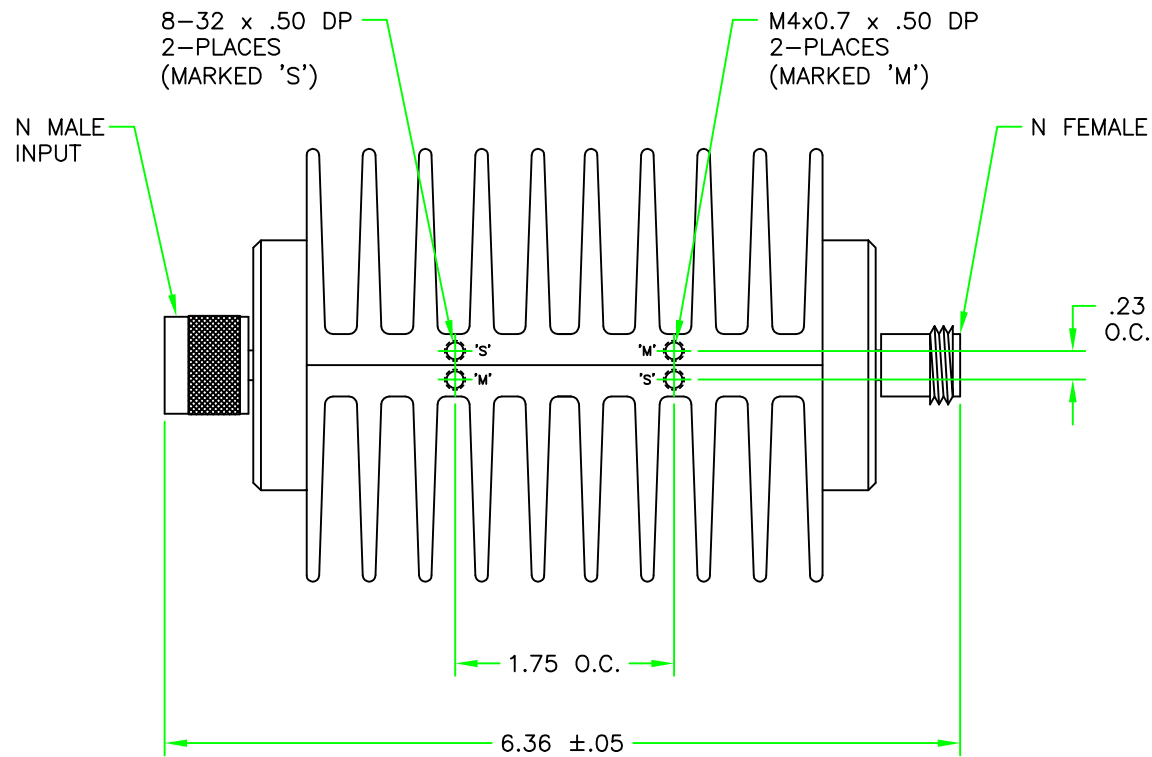
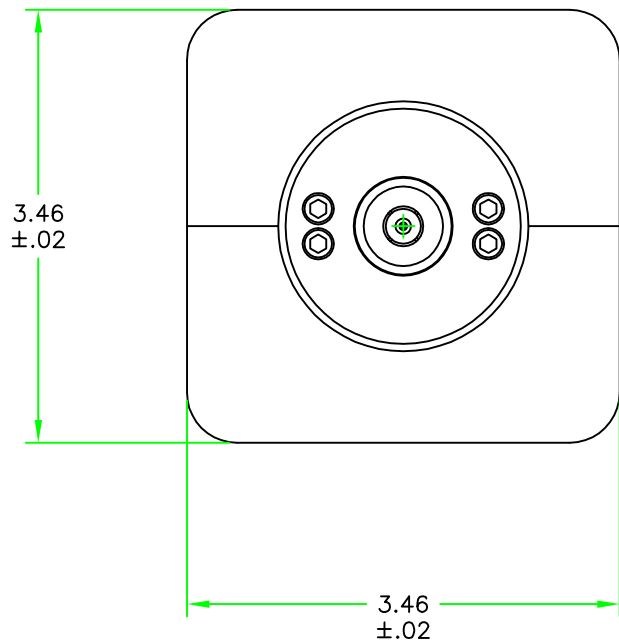
Peak Power 1000 Watts  
(5 microsecond pulse, 0.05% duty cycle)

RF Connector SMA or N

Operating Temperature Range -55°C to +125°C

Physical Size Outline drawing: 092-7189 (N M/N F)  
092-7219 (N F/N F)

ECR/ECN #	DATE	REV	APPR / DATE	ECR/ECN #	DATE	REV	APPR / DATE
	01/04/2012		CLK 01/04/2012				
21148	01/18/2012	A	TRS 01/18/2012				
21237	02/08/2012	B	CLK 02/08/2012				



REV	ECN	DATE	BY	APPR	JFW INDUSTRIES, INC.	
-	ISSUED	1-4-12	JZ	TEZ	www.jfwindustries.com PH: 317-887-1340	
					MATERIAL	ALUMINUM ALLOY
					FINISH	BLACK ANODIZE
					MODEL	50HF-XXX-100
					SCALE	FULL
					DESCRIPTION	100 WATT FIXED ATTEN.
						092-7189



**JFW INDUSTRIES, INC.**  
www.jfwindustries.com PH: 317-887-1340

MATERIAL ALUMINUM ALLOY  
FINISH BLACK ANODIZE  
MODEL 50HF-XXX-100  
SCALE FULL  
DESCRIPTION 100 WATT FIXED ATTEN.

PROPRIETARY INFORMATION  
ALL SURFACES ARE TO BE FREE OF BURRS, PITS, & SCRATCHES  
TOLERANCES  
.XX±.010 .XXX±.005 .XX±.5'  
DWG # 092-7189