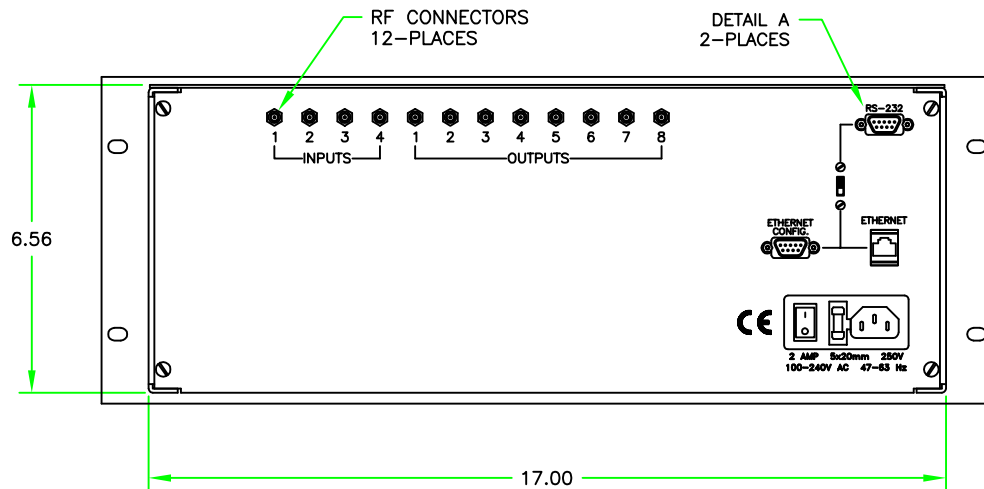
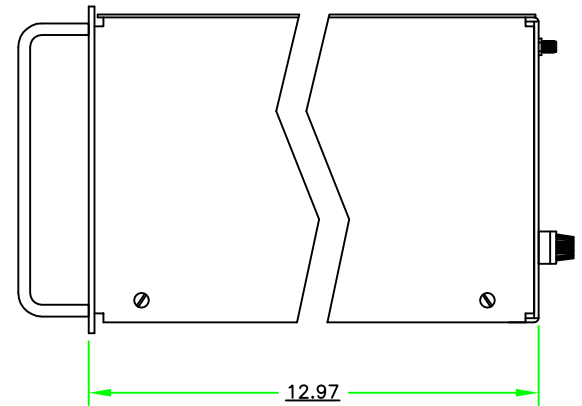
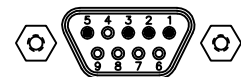


FRONT VIEW



REAR VIEW



DETAIL A
DE-9S

PIN	FUNCTION
1	CHASSIS GROUND
2	RECEIVED DATA
3	TRANSMITTED DATA
4	NO CONNECTION
5	SIGNAL GROUND
6	NO CONNECTION
7	NO CONNECTION
8	NO CONNECTION
9	NO CONNECTION

REV	ECN	DATE	BY	APPR
-	ISSUED	5-14-07	BZ	TEZ
A	20333	7-15-11	JZ	TEZ

JFW INDUSTRIES, INC.
www.jfwindustries.com PH: 317-887-1340

MATERIAL	ALUMINUM ALLOY	PROPRIETARY INFORMATION
FINISH	CHEMFILM TCP/FRONT BLACK PAINT	ALL SURFACES ARE TO BE FREE OF BURRS, PITS, & SCRATCHES
MODEL	50MS-211	SCALE 3/8
DESCRIPTION	4x8 MATRIX SWITCH	TOLERANCES .XX±.010 .XXX±.005 .XC±.5°
		DWG # 092-5403