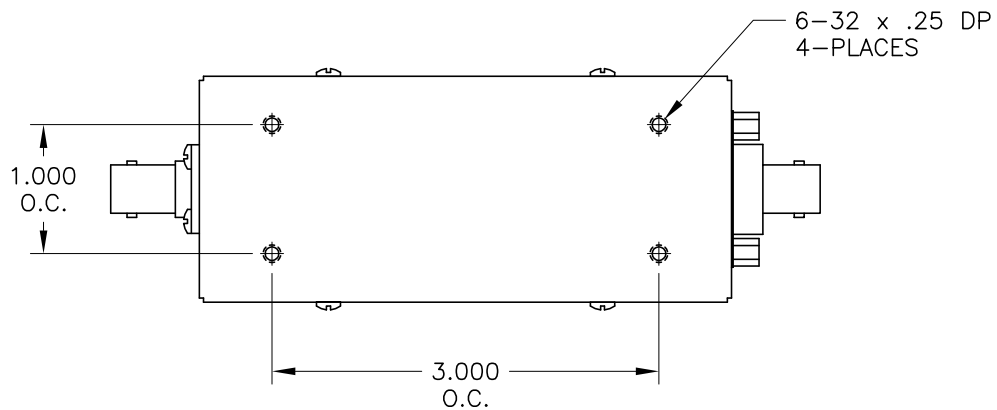



DETAIL A
DE-9P



PIN	FUNCTION
1	.5dB TTL CONTROL
2	1dB TTL CONTROL
3	2dB TTL CONTROL
4	4dB TTL CONTROL
5	8dB TTL CONTROL
6	16dB TTL CONTROL
7	32dB TTL CONTROL
8	GROUND
9	+5 Vdc

 JFW INDUSTRIES, INC. INDIANAPOLIS, IN							PROPRIETARY INFORMATION	
REV	ECN	DATE	BY	DRAWN BY	B. ZEIHEN	DATE	11-21-07	ALL SURFACES ARE TO BE FREE OF BURRS, PITS, & SCRATCHES
				APP'D BY		SCALE	FULL	TOLERANCES
				MATERIAL	BRASS			FRACTIONAL DIM. $\pm 1/64$
				FINISH	NICKEL			2 PLACE DECIMAL $\pm .010$
				DESCRIPTION	50P-XXXX: PROG. ATTEN.			3 PLACE DECIMAL $\pm .005$
								ANGULAR DIM. $\pm 1/2^\circ$
								DWG NO. 092-5638-04