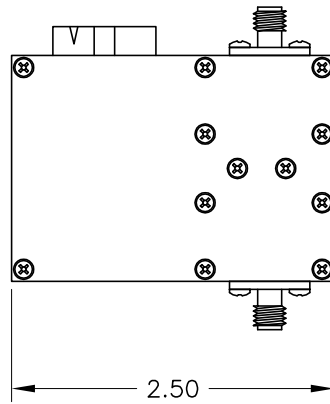
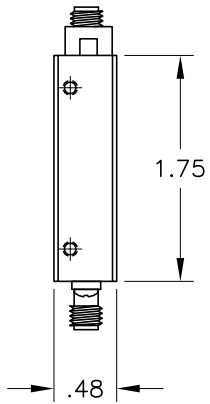
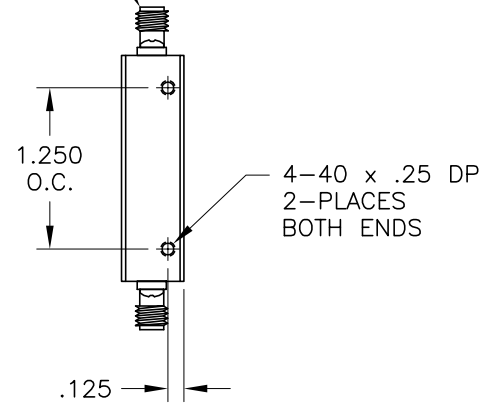



DETAIL A
T&B #609-1057

| PIN | FUNCTION |
|-----|-----------------|
| 1 | 0.5dB TTL CONT. |
| 2 | 1dB TTL CONT. |
| 3 | 2dB TTL CONT. |
| 4 | 4dB TTL CONT. |
| 5 | 8dB TTL CONT. |
| 6 | 16dB TTL CONT. |
| 7 | 32dB TTL CONT. |
| 8 | NO CONNECTION |
| 9 | +5Vdc |
| 10 | GROUND |



SMA FEMALE
2-PLACES



|  JFW INDUSTRIES, INC. INDIANAPOLIS, IN | | | | | | | PROPRIETARY INFORMATION | |
|---|-----|------|----|-------------|------------------------|-------|-------------------------|---|
| REV | ECN | DATE | BY | DRAWN BY | B. ZEIHEN | DATE | 10-17-08 | ALL SURFACES ARE TO BE FREE OF BURRS, PITS, & SCRATCHES |
| | | | | APP'D BY | | SCALE | FULL | TOLERANCES |
| | | | | MATERIAL | ALUMINUM ALLOY | | | FRACTIONAL DIM. ± 1/64 |
| | | | | FINISH | NICKEL | | | 2 PLACE DECIMAL ± .010 |
| | | | | DESCRIPTION | 50P-XXXX: PROG. ATTEN. | | | 3 PLACE DECIMAL ± .005 |
| | | | | | | | | ANGULAR DIM. ± 1/2° |
| | | | | | | | | DWG NO. 092-5748-06 |