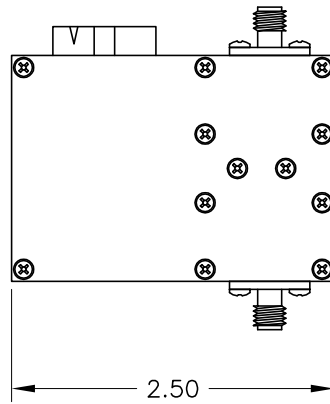
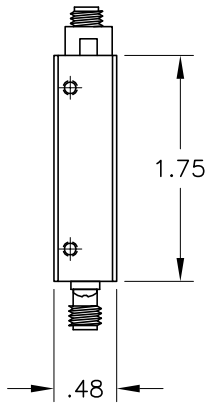
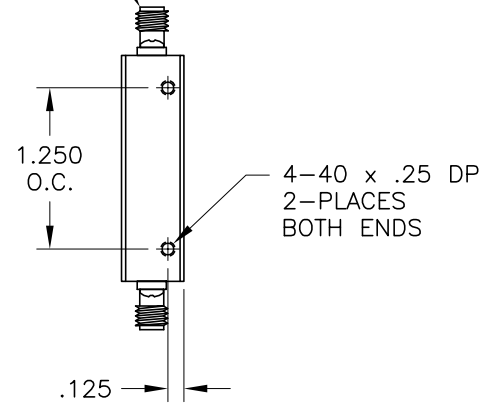



DETAIL A
T&B #609-1057

PIN	FUNCTION
1	1dB TTL CONT.
2	2dB TTL CONT.
3	4dB TTL CONT.
4	8dB TTL CONT.
5	16dB TTL CONT.
6	32dB TTL CONT.
7	NO CONNECTION
8	NO CONNECTION
9	DC SUPPLY
10	GROUND



SMA FEMALE
2-PLACES



 JFW INDUSTRIES, INC. INDIANAPOLIS, IN				PROPRIETARY INFORMATION
REV	ECN	DATE	BY	ALL SURFACES ARE TO BE FREE OF BURRS, PITS, & SCRATCHES
			DRAWN BY T. ZEISS	DATE 6-20-08
			APP'D BY	SCALE FULL
			MATERIAL ALUMINUM ALLOY	TOLERANCES
			FINISH NICKEL	FRACTIONAL DIM. ± 1/64
			DESCRIPTION	2 PLACE DECIMAL ± .010
			50P-XXXX: PROG. ATTEN.	3 PLACE DECIMAL ± .005
				ANGULAR DIM. ± 1/2°
				DWG NO. 092-5748-03