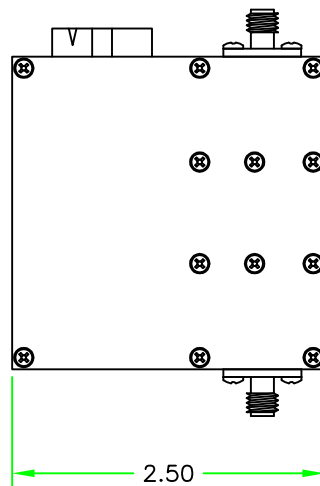
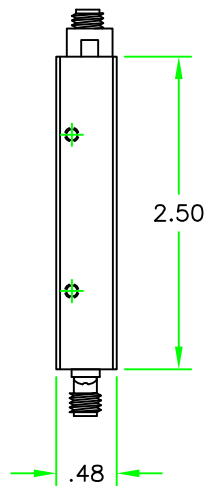
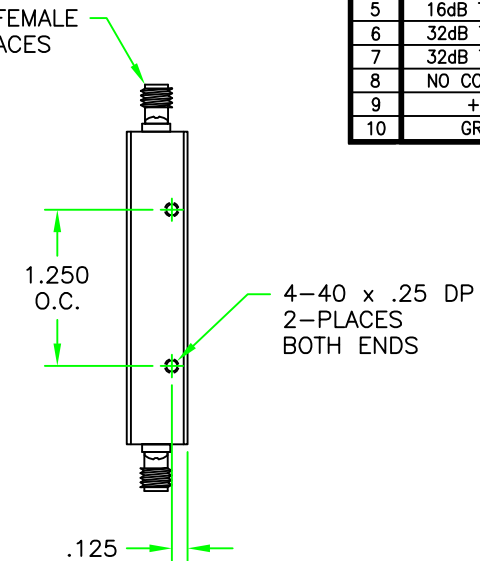


DETAIL A
T&B #609-1057

PIN	FUNCTION
1	1dB TTL CONT.
2	2dB TTL CONT.
3	4dB TTL CONT.
4	8dB TTL CONT.
5	16dB TTL CONT.
6	32dB TTL CONT.
7	32dB TTL CONT.
8	NO CONNECTION
9	+5VDC
10	GROUND



SMA FEMALE
2-PLACES



REV	ECN	DATE	BY	APPR
-	ISSUED	8-5-09	BZ	TEZ
A	17569	8-17-09	BZ	TEZ
B	17649	9-2-09	BZ	TEZ



JFW INDUSTRIES, INC.

www.jfwindustries.com PH: 317-887-1340

MATERIAL	ALUMINUM ALLOY	PROPRIETARY INFORMATION
FINISH	NICKEL	ALL SURFACES ARE TO BE FREE OF BURRS, PITS, & SCRATCHES
MODEL	50P-XXXX	SCALE FULL
DESCRIPTION	PROGRAMMABLE ATTENUATOR	TOLERANCES XX±.010 XXX±.005 XC±.5° DWG # 092-6246