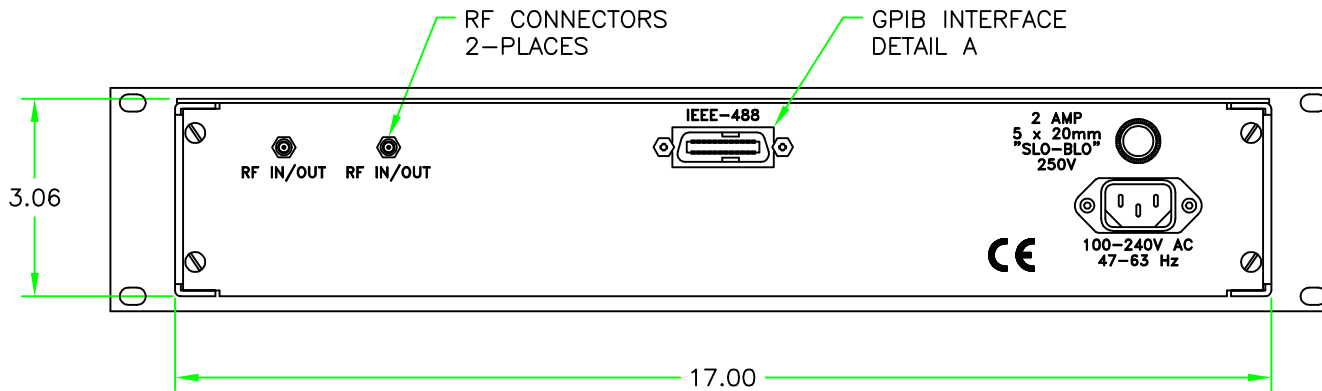
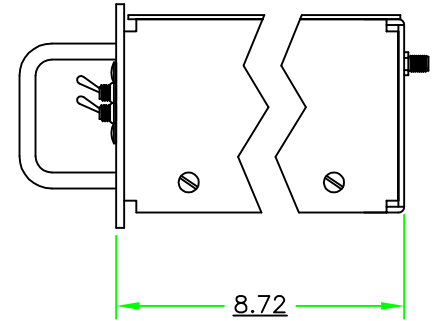
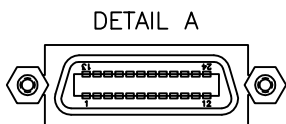


FRONT VIEW



REAR VIEW

NOTE: SEE JFW SPEC. SHEET FOR ATTENUATION STEPS (A=LSB / G=MSB)



PIN	FUNCTION	PIN	FUNCTION	PIN	FUNCTION
1	DIO1	9	IFC	17	REN
2	DIO2	10	SRQ	18	GND
3	DIO3	11	ATN	19	GND
4	DIO4	12	SHIELD	20	GND
5	EOI	13	DIO5	21	GND
6	DAV	14	DIO6	22	GND
7	NRFD	15	DIO7	23	GND
8	NDAC	16	DIO8	24	LOGIC GND

<b>JFW INDUSTRIES, INC.</b> INDIANAPOLIS, IN						PROPRIETARY INFORMATION		
REV	ECN	DATE	BY	DRAWN BY	B. ZEIHEN	DATE	8-9-05	ALL SURFACES ARE TO BE FREE OF BURRS, PITS, & SCRATCHES
A	13124	8-2-06	TEZ	APP'D BY		SCALE	1/2	TOLERANCES
B	13384	9-15-06	BZ	MATERIAL	ALUMINUM ALLOY		FRACTIONAL DIM. ± 1/64	
				FINISH	CHEMFILM TCP / FRONT: BLACK		2 PLACE DECIMAL ± .010	
				DESCRIPTION	50PA-XXX & 75PA-XXX PROGRAMMABLE ATTEN.		3 PLACE DECIMAL ± .005	
							ANGULAR DIM. ± 1/2°	
							DWG NO. 092-4891	