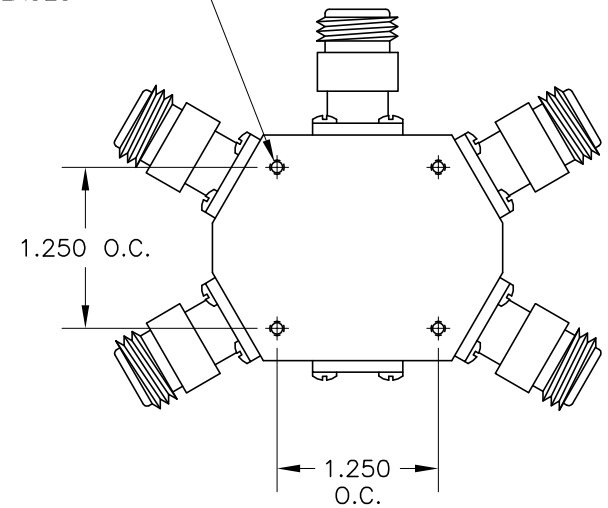



4-40 x .25 DP
4-PLACES



 JFW INDUSTRIES, INC. INDIANAPOLIS, IN				PROPRIETARY INFORMATION ALL SURFACES ARE TO BE FREE OF BURRS, PITS, & SCRATCHES				
REV	ECN	DATE	BY	DRAWN BY	T. ZEISS	DATE	2-5-07	TOLERANCES
				APP'D BY		SCALE	FULL	FRACTIONAL DIM. ± 1/64
				MATERIAL	ALUMINUM ALLOY			2 PLACE DECIMAL ± .010
				FINISH	ELECTROLESS NICKEL			3 PLACE DECIMAL ± .005
				DESCRIPTION	50PD-XXX: 4 WAY POWER DIVIDER			ANGULAR DIM. ± 1/2°
								DWG NO. 092-5305