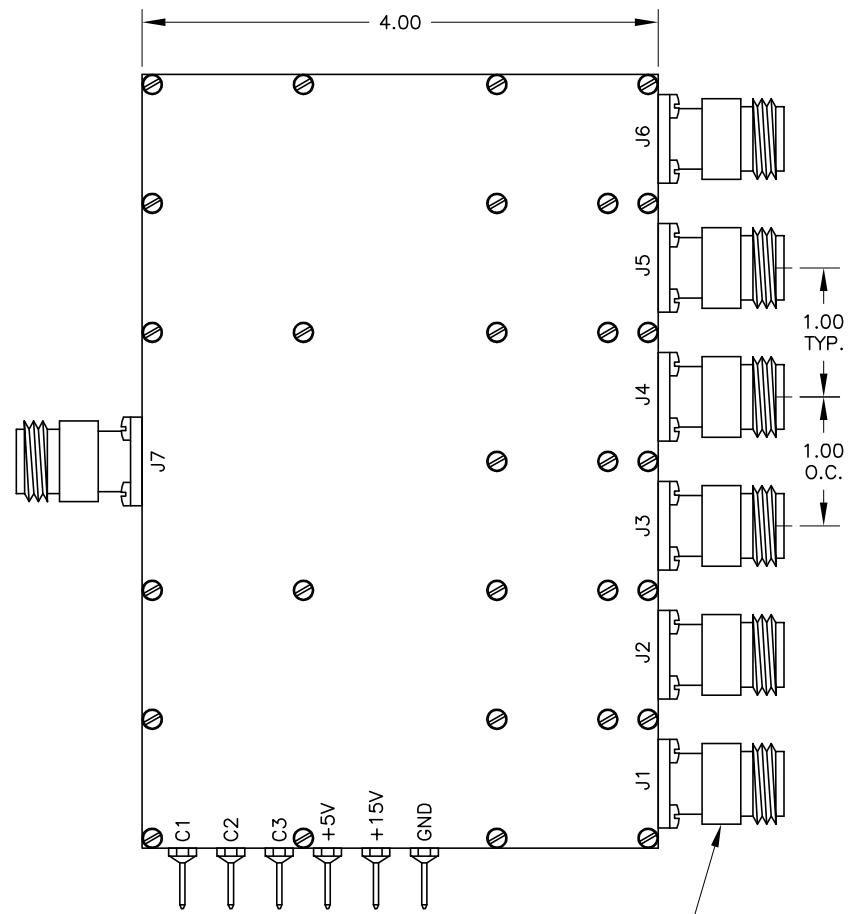
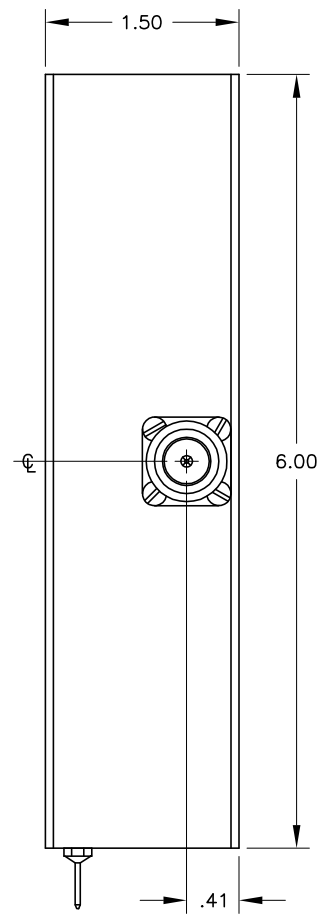
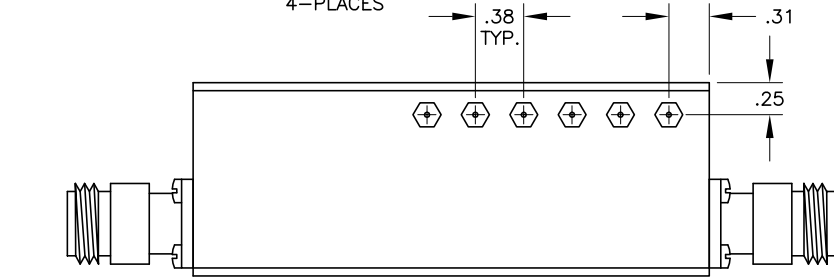



6-32 x .25 DP  
4-PLACES



N FEMALE  
7-PLACES

J7 TO	C1	C2	C3
J1	1	0	0
J2	0	1	0
J3	1	1	0
J4	0	0	1
J5	1	0	1
J6	0	1	1

 <b>JFW INDUSTRIES, INC.</b> INDIANAPOLIS, IN				PROPRIETARY INFORMATION ALL SURFACES ARE TO BE FREE OF BURRS, PITS, & SCRATCHES	
				TOLERANCES FRACTIONAL DIM. ± 1/64 2 PLACE DECIMAL ± .010 3 PLACE DECIMAL ± .005 ANGULAR DIM. ± 1/2° DWG NO. 092-5237	
REV	ECN	DATE	BY	DRAWN BY T. ZEISS	DATE 10-27-06
				APP'D BY	SCALE FULL
				MATERIAL ALUMINUM ALLOY	
				FINISH ELECTROLESS NICKEL	
				DESCRIPTION 50S-XXXX: 1P6T SWITCH	