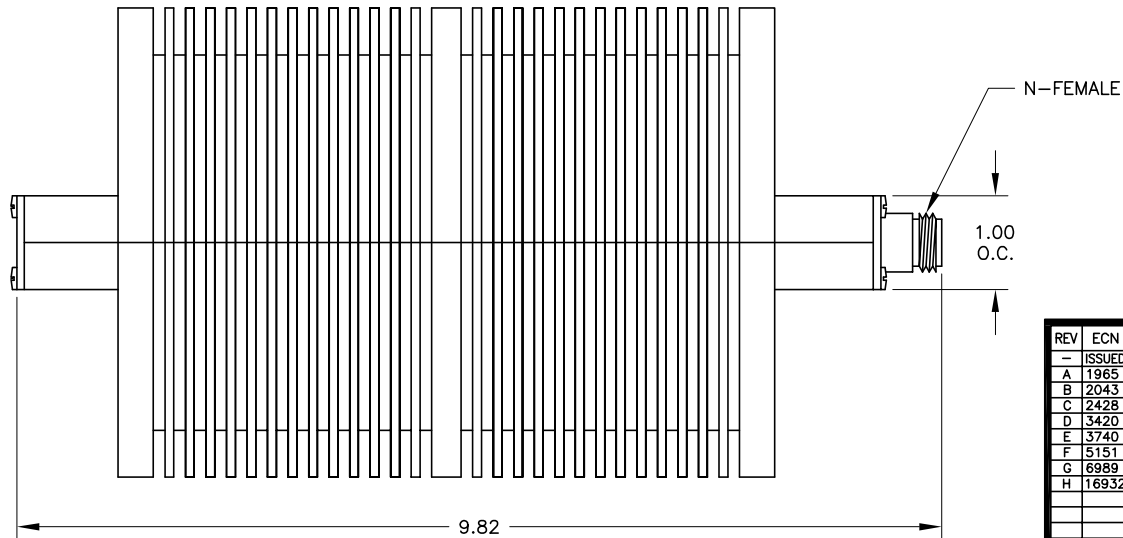
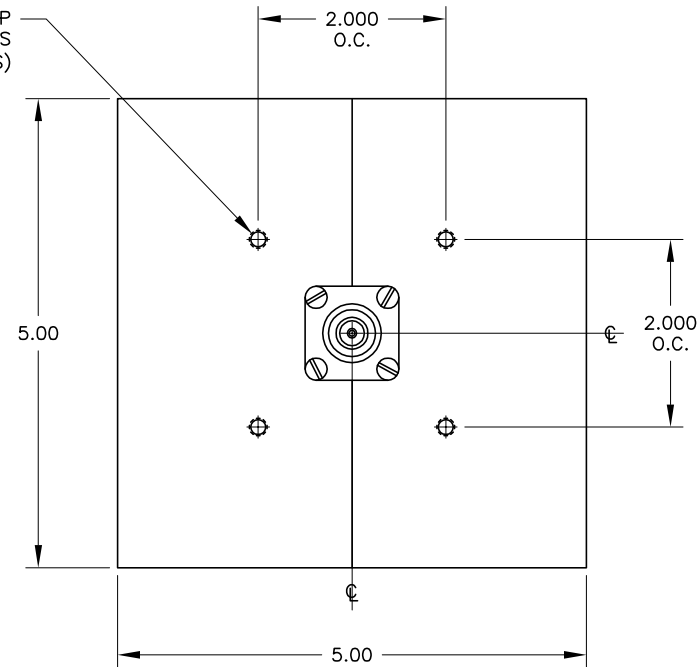



10-32 x .38 DP
4-PLACES
(BOTH ENDS)



REV	ECN	DATE	BY	APPR			
-	ISSUED	-	-	-			
A	1965	3-22-88	PT	FDW			
B	2043	5-20-88	PT	FDW			
C	2428	3-28-89	PT	FDW			
D	3420	9-25-91	PT	FDW			
E	3740	9-15-92	TEZ	PT			
F	5151	11-20-96	JES	PT			
G	6989	1-24-02	CMB	TEZ			
H	16932	3-9-09	BZ	TEZ			
					 JFW INDUSTRIES, INC. www.jfwindustries.com PH: 317-887-1340		
					MATERIAL	ALUMINUM ALLOY	PROPRIETARY INFORMATION
					FINISH	CHEMFILM TCP / HEATSINK: BLACK PAINT	ALL SURFACES ARE TO BE FREE OF BURRS, PITS, & SCRATCHES
					MODEL	50T-XXX / 75T-XXX	TOLERANCES .XX±.010 .XXX±.005 .XX±.5°
					SCALE	3/4	DWG #
					DESCRIPTION	300 WATT TERMINATION	092-1002