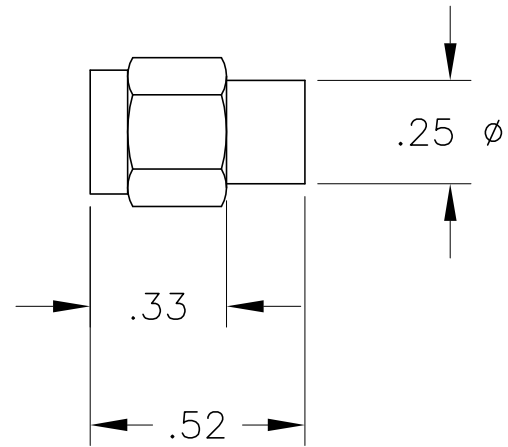
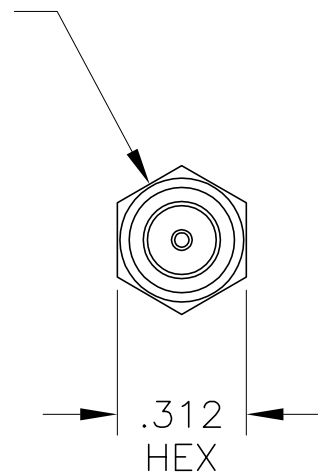



SMA MALE



				JFW INDUSTRIES, INC. INDIANAPOLIS, IN			PROPRIETARY INFORMATION	
							ALL SURFACES ARE TO BE FREE OF BURRS, PITS, & SCRATCHES	
REV	ECN	DATE	BY	DRAWN BY	B. ZEIHEN	DATE	8-4-06	TOLERANCES FRACTIONAL DIM. ± 1/64
				APP'D BY		SCALE	2X	2 PLACE DECIMAL ± .010
				MATERIAL	STAINLESS STEEL			3 PLACE DECIMAL ± .005
				FINISH	GOLD			ANGULAR DIM. ± 1/2°
				DESCRIPTION	50T-XXX: TERMINATION			DWG NO. 092-5171