

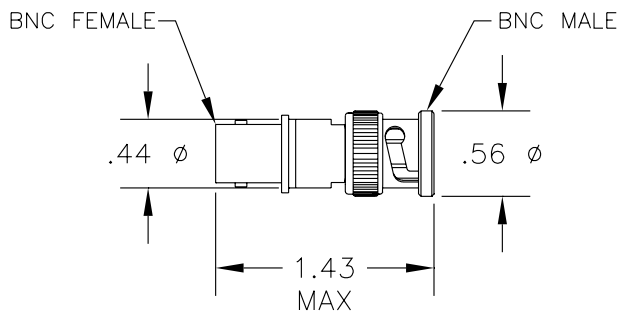
Fixed Attenuators F Series

Model	Frequency Range	Attenuation Values *	Attenuation Accuracy	VSWR (maximum)	RF Connectors
75F-XXX	DC-500 MHz	1 thru 30 dB in any 1 dB increment	+/- 0.2 dB DC-100 MHz +/- 0.4 dB 100-500 MHz	1.3:1	BNC
75F-XXX	DC-1000 MHz	1 thru 20 dB in any 1 dB increment	+/- 0.3 dB DC-500 MHz +/- 0.5 dB 500-1000 MHz	1.2:1 @ 500 MHz 1.3:1 @ 1000 MHz	N or F (Screw On)
75F-XXX	DC-1000 MHz	1 thru 20 dB in any 1 dB increment	+/- 0.3 dB DC-500 MHz +/- 0.5 dB 500-1000 MHz	1.15:1 @ 500 MHz 1.30:1 @ 1000 MHz	TNC

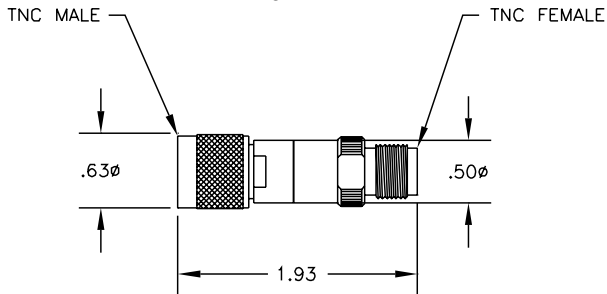
* (XXX) insert attenuation value

Common Specifications			
Impedance	Input Power (average)	Peak Power	Operating Temperature
75 Ohms	1 Watt	1000 Watts	-55° C to +125° C

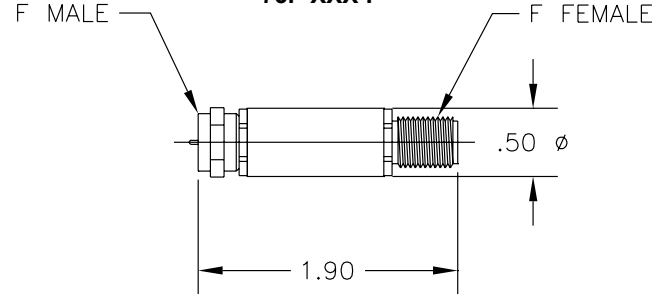
75F-XXX BNC



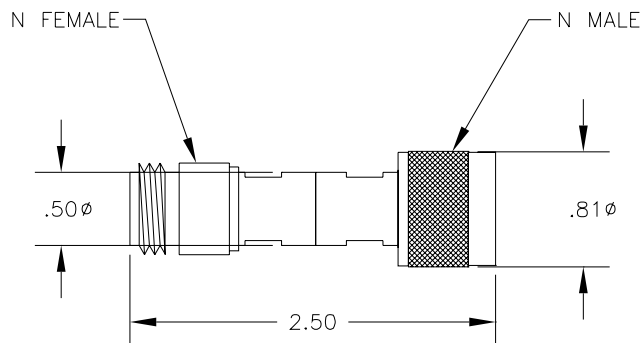
75F-XXX TNC



75F-XXX F



75F-XXX N



This represents only 10% of our products. For YOUR application, contact JFW at 1-877-887-4JFW or sales@jfwindustries.com