

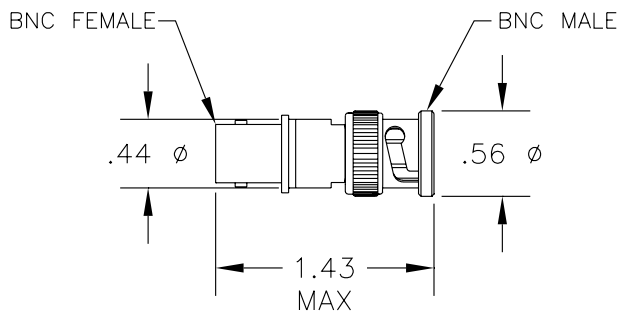
75 Ohm Fixed Attenuators F Series

Model	Frequency Range	Attenuation Values *	Attenuation Accuracy	VSWR (maximum)	RF Connectors
75F-XXX	DC-500 MHz	1 thru 30 dB in any 1 dB increment	± 0.2 dB DC-100 MHz ± 0.4 dB 100-500 MHz	1.3:1	BNC
75F-XXX	DC-1000 MHz	1 thru 20 dB in any 1 dB increment	± 0.3 dB DC-500 MHz ± 0.5 dB 500-1000 MHz	1.2:1 @ 500 MHz 1.3:1 @ 1000 MHz	F (Screw On) or N
75F-XXX	DC-1000 MHz	1 thru 20 dB in any 1 dB increment	± 0.3 dB DC-500 MHz ± 0.5 dB 500-1000 MHz	1.15:1 @ 500 MHz 1.30:1 @ 1000 MHz	TNC

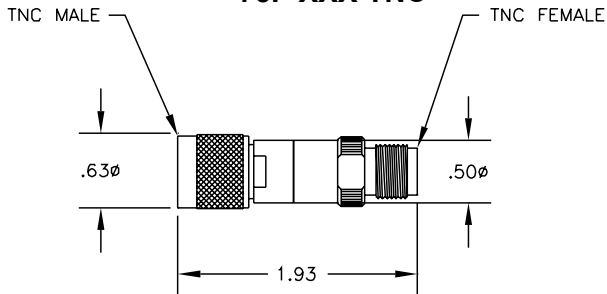
* (XXX) insert attenuation value

Common Specifications			
Impedance	Input Power (@ +25° C)	Peak Power	Operating Temperature
75 Ohms	1 Watt	1000 Watts	-55° C to +125° C

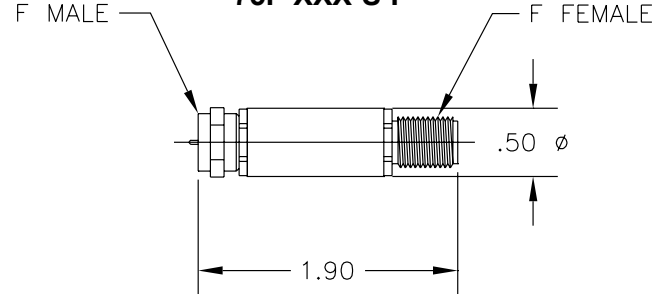
75F-XXX BNC



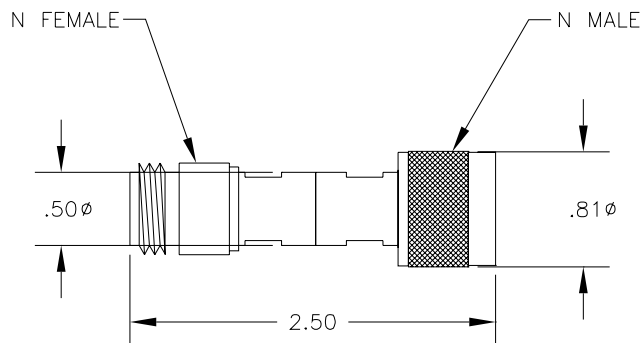
75F-XXX TNC



75F-XXX-S F



75F-XXX N



This catalog represents less than 5% of our products. For your application, contact us at sales@jfwindustries.com