

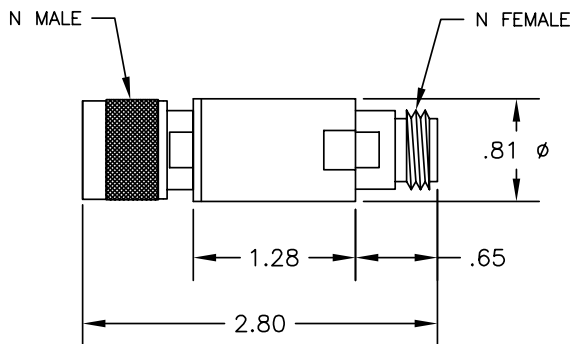
# DC Passing Attenuators

Model	Frequency Range	Attenuation Values *	Attenuation Accuracy	VSWR (maximum)	RF Connectors	Input Power (@ +25° C)
50FFD-XXX	600-1950 MHz	1-30 dB	± 0.25 dB	1.3:1	BNC, N, SMA or TNC	+21 dBm
50FFP-XXX	400-2500 MHz	1-10 dB	± 0.4 dB	1.4:1	BNC, N, SMA or TNC	+21 dBm
75FFB-XXX	950-2150 MHz	3-20 dB	± 0.5 dB	1.5:1	BNC or F	1 Watt
75FFD-XXX	450-2000 MHz	3-20 dB	± 0.5 dB	1.4:1	BNC or F	1 Watt

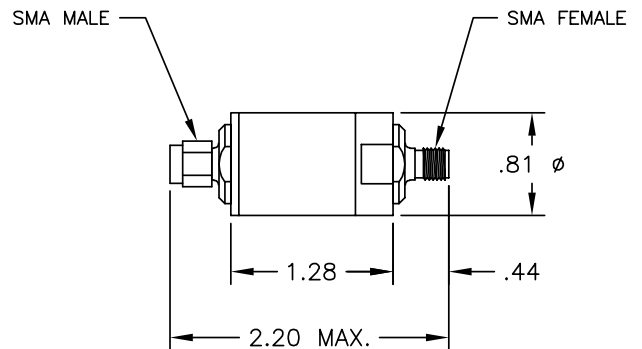
\* (XXX) insert attenuation value - Consult Factory for other dB Values

Model	Impedance	Operating Temperature	Insertion Loss @ 10 MHz	DC Ratings	DC Resistance (Input to Output)
50FFD-XXX	50 Ohms	-40° C to +85° C	0.75 dB nominal @ 10 MHz	4 Amps/150 Volts	0.05 Ohms nominal
50FFP-XXX	50 Ohms	-40° C to +85° C	0.75 dB nominal @ 10 MHz	4 Amps/150 Volts	0.05 Ohms nominal
75FFB-XXX	75 Ohms	-40° C to +85° C	0.75 dB nominal @ 10 MHz	2 Amps/50 Volts	0.1 Ohms nominal
75FFD-XXX	75 Ohms	-40° C to +85° C	0.75 dB nominal @ 10 MHz	4 Amps/50 Volts	0.1 Ohms nominal

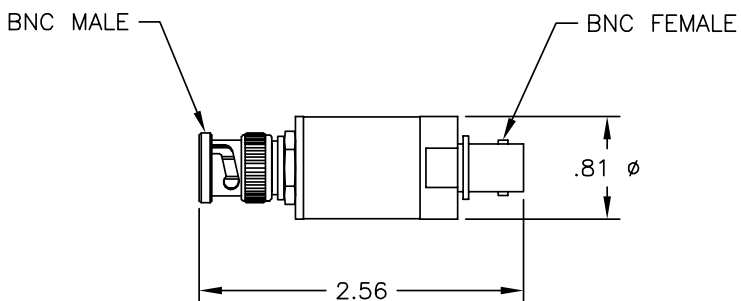
**50FFD-XXX N  
50FFP-XXX N**



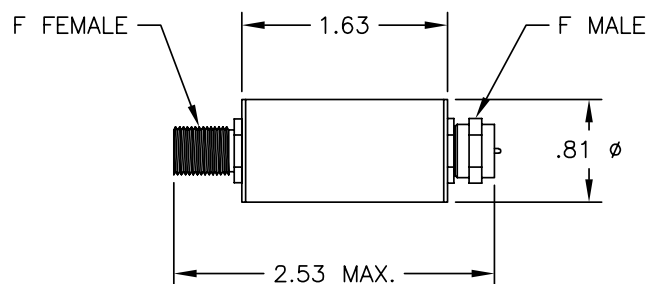
**50FFD-XXX SMA  
50FFP-XXX SMA**



**75FFB-XXX BNC**



**75FFD-XXX F**



This catalog represents less than 5% of our products. For your application, contact us at [sales@jfwindustries.com](mailto:sales@jfwindustries.com)