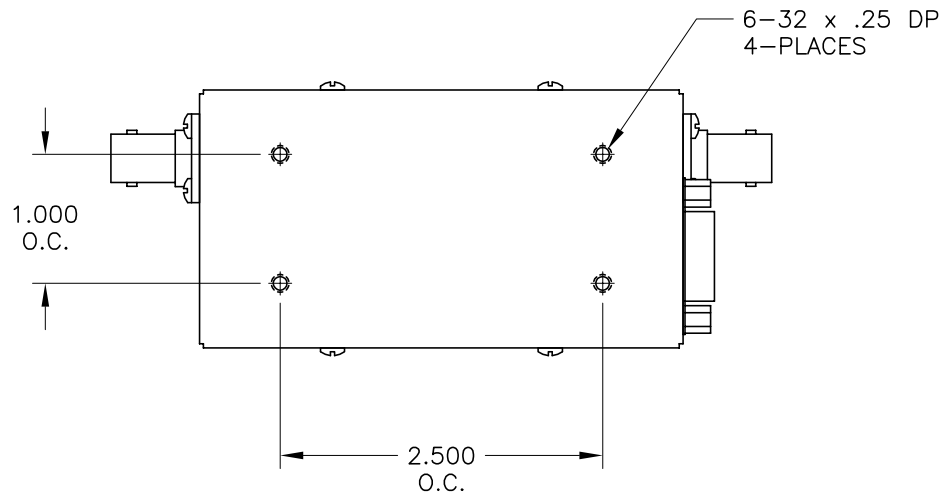


DETAIL A
DE-9P



PIN	50P-157	50P-320/1472	75P-067	75P-120/124/161 50P-376/602/646
1	.25 dB TTL CONT.	.5 dB TTL CONT.	.5 dB TTL CONT.	1 dB TTL CONT.
2	.5 dB TTL CONT.	1 dB TTL CONT.	1 dB TTL CONT.	2 dB TTL CONT.
3	1 dB TTL CONT.	2 dB TTL CONT.	2 dB TTL CONT.	4 dB TTL CONT.
4	2 dB TTL CONT.	4 dB TTL CONT.	4 dB TTL CONT.	8 dB TTL CONT.
5	4 dB TTL CONT.	8 dB TTL CONT.	8 dB TTL CONT.	16 dB TTL CONT.
6	8 dB TTL CONT.	16 dB TTL CONT.	16 dB TTL CONT.	32 dB TTL CONT.
7	NO CONNECTION	NO CONNECTION	NO CONNECTION	NO CONNECTION
8	GROUND	GROUND	GROUND	GROUND
9	+Vdc	+Vdc	+Vdc	+Vdc

		JFW INDUSTRIES, INC. INDIANAPOLIS, IN			PROPRIETARY INFORMATION			
					ALL SURFACES ARE TO BE FREE OF BURRS, PITS, & SCRATCHES			
REV	ECN	DATE	BY	DRAWN BY	B. ZEIHEN	DATE	6-14-01	TOLERANCES
A	----	1-9-84	---	APP'D BY		SCALE	FULL	FRACTIONAL DIM. ± 1/64
B	1154	7-20-85	JD	MATERIAL	BRASS			2 PLACE DECIMAL ± .010
C	1677	6-17-87	JD	FINISH	NICKEL			3 PLACE DECIMAL ± .005
D	4909	2-21-96	CDJ	DESCRIPTION	SOLID STATE PROG. ATTEN.			ANGULAR DIM. ± 1/2°
E	5192	2-3-97	CDJ					
F	6753	6-14-01	TEZ					
G	12356	1-20-06	TEZ					
H	13554	10-31-06	BZ					DWG NO. 092-319