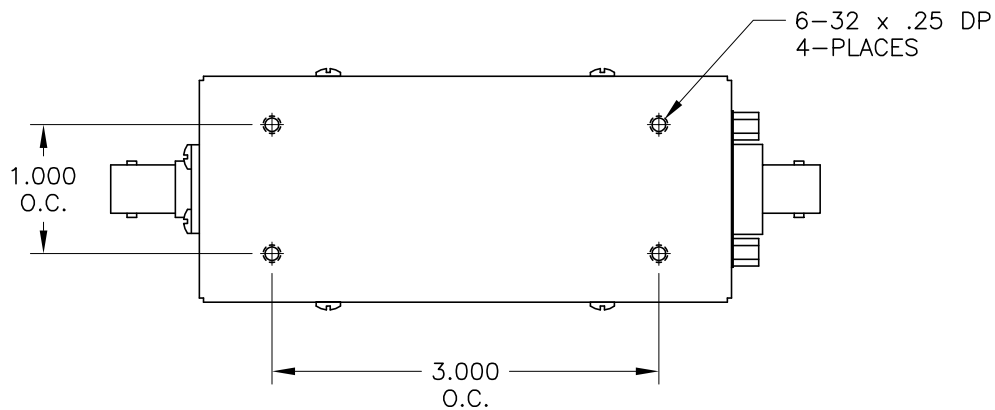



DETAIL A  
DE-9P



PIN	FUNCTION
1	1dB TTL CONTROL
2	2dB TTL CONTROL
3	4dB TTL CONTROL
4	8dB TTL CONTROL
5	16dB TTL CONTROL
6	32dB TTL CONTROL
7	
8	GROUND
9	+5 Vdc

				<b>JFW INDUSTRIES, INC.</b> INDIANAPOLIS, IN			PROPRIETARY INFORMATION ALL SURFACES ARE TO BE FREE OF BURRS, PITS, & SCRATCHES
							TOLERANCES FRACTIONAL DIM. ± 1/64 2 PLACE DECIMAL ± .010 3 PLACE DECIMAL ± .005 ANGULAR DIM. ± 1/2°
REV	ECN	DATE	BY	DRAWN BY	B. ZEIHEN	DATE	11-21-07
				APP'D BY		SCALE	FULL
				MATERIAL	BRASS		
				FINISH	NICKEL		
				DESCRIPTION	50P-XXXX: PROG. ATTEN.		
						DWG NO.	092-5638-01