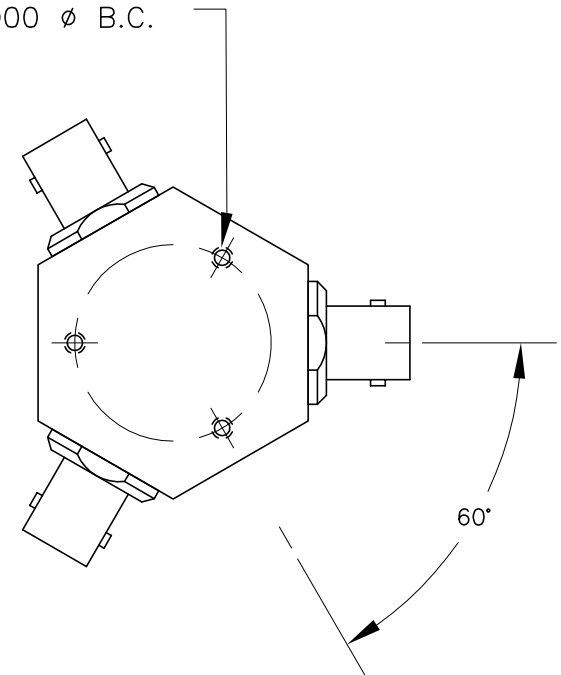



4-40 x .25 DP
3-PLACES EQUALLY
SPACED ON A
1.000 ϕ B.C.



| REV | ECN | DATE | BY | APPR |  JFW INDUSTRIES, INC. www.jfwindustries.com PH: 317-887-1340 | | |
|-----|--------|----------|----|------|--|-------------------------------|--|
| - | ISSUED | 07-15-10 | JZ | TRS | | | |
| | | | | | MATERIAL | ALUMINUM ALLOY | PROPRIETARY INFORMATION |
| | | | | | FINISH | CHEMFILM TCP | ALL SURFACES ARE TO BE FREE OF BURRS, PITS, & SCRATCHES |
| | | | | | MODEL | XXPD-XXX | TOLERANCES .XX \pm .010 .XXX \pm .005 XX' \pm .5' |
| | | | | | DESCRIPTION | 2 WAY RESISTIVE POWER DIVIDER | DWG # 092-6646-02 |
| | | | | | | SCALE FULL | |