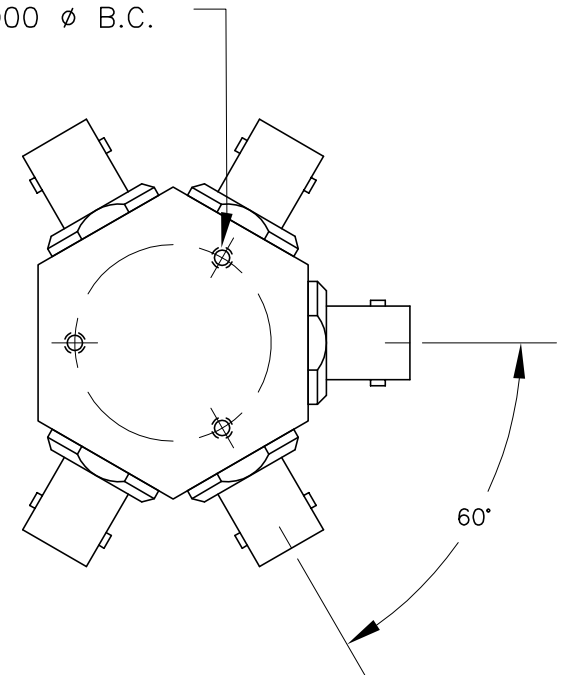



4-40 x .25 DP  
3-PLACES EQUALLY  
SPACED ON A  
1.000  $\phi$  B.C.



REV	ECN	DATE	BY	APPR	 <b>JFW INDUSTRIES, INC.</b> <a href="http://www.jfwindustries.com">www.jfwindustries.com</a> PH: 317-887-1340		
-	ISSUED	07-15-10	JZ	TRS			
					MATERIAL	ALUMINUM ALLOY	PROPRIETARY INFORMATION
					FINISH	CHEMFILM TCP	ALL SURFACES ARE TO BE FREE OF BURRS, PITS, & SCRATCHES
					MODEL	XXPD-XXX	TOLERANCES .XX $\pm$ .010 .XXX $\pm$ .005 XX' $\pm$ .5'
					DESCRIPTION	4 WAY RESISTIVE POWER DIVIDER	DWG # 092-6646-04
						SCALE FULL	