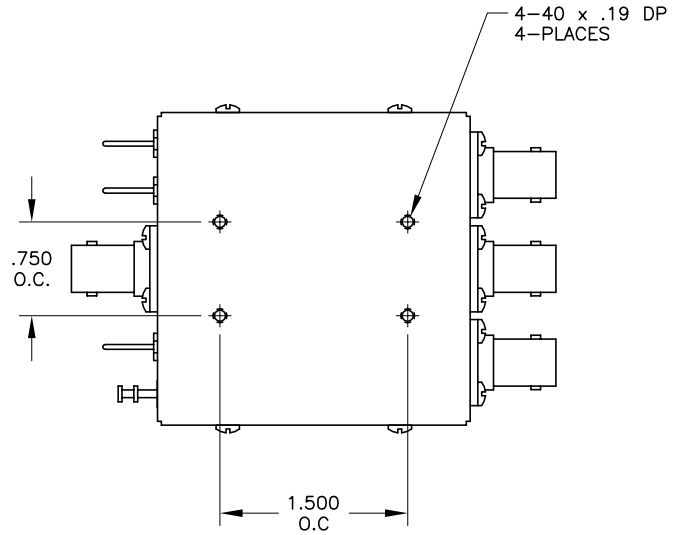
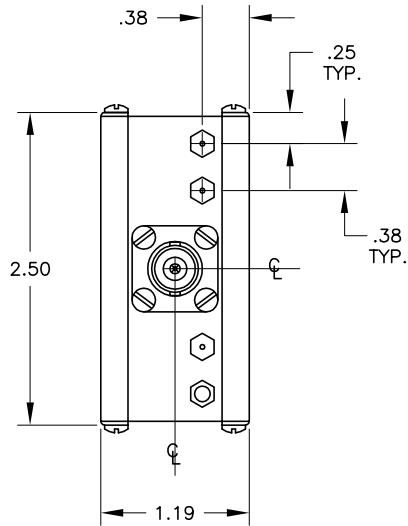
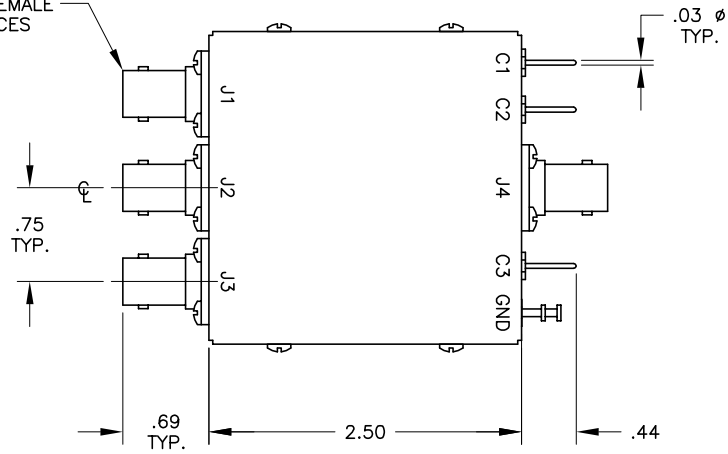
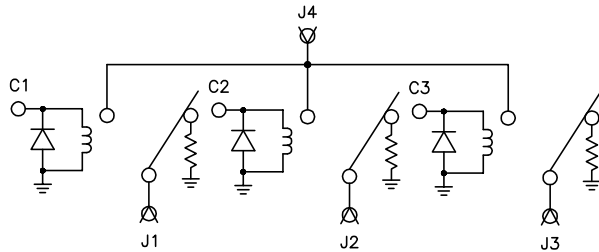


BNC FEMALE
4-PLACES

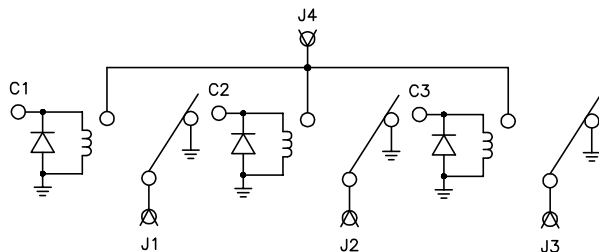


75S-087
75S-118
75S-160
50S-1866



J4 TO	C1	C2	C3
J1	1	0	0
J2	0	1	0
J3	0	0	1

75S-112



NOTE : BOTH SCHEMATICS SHOWN WITH NO POWER APPLIED

REV	ECN	DATE	BY	APPR	JFW INDUSTRIES, INC.	
-	ISSUED	-	-	-	www.jfwindustries.com PH: 317-887-1340	
A	2970	6-27-90	TEZ	FDW	PROPRIETARY INFORMATION	
B	4184	3-21-94	PT	TEZ	ALL SURFACES ARE TO BE FREE OF BURRS, PITS, & SCRATCHES	
C	5792	9-11-98	CDJ	TEZ	TOLERANCES	
D	6989	1-28-02	CMB	TEZ	.XX±.010 .XXX±.005 .XX±.5'	
E	18420	3-17-10	BZ	TEZ	DWG #	
MATERIAL					BRASS	
FINISH					NICKEL	
MODEL					XXS-XXXX	SCALE FULL
DESCRIPTION					1P3T COAX. SWITCH	092-1419