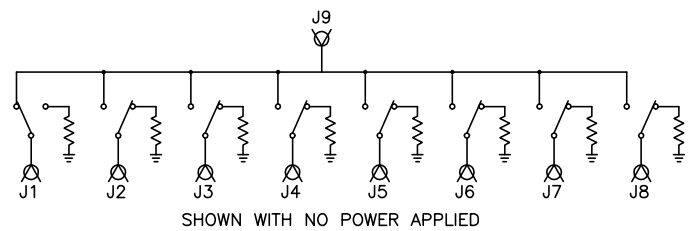
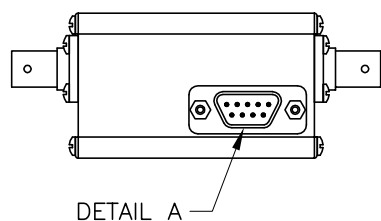
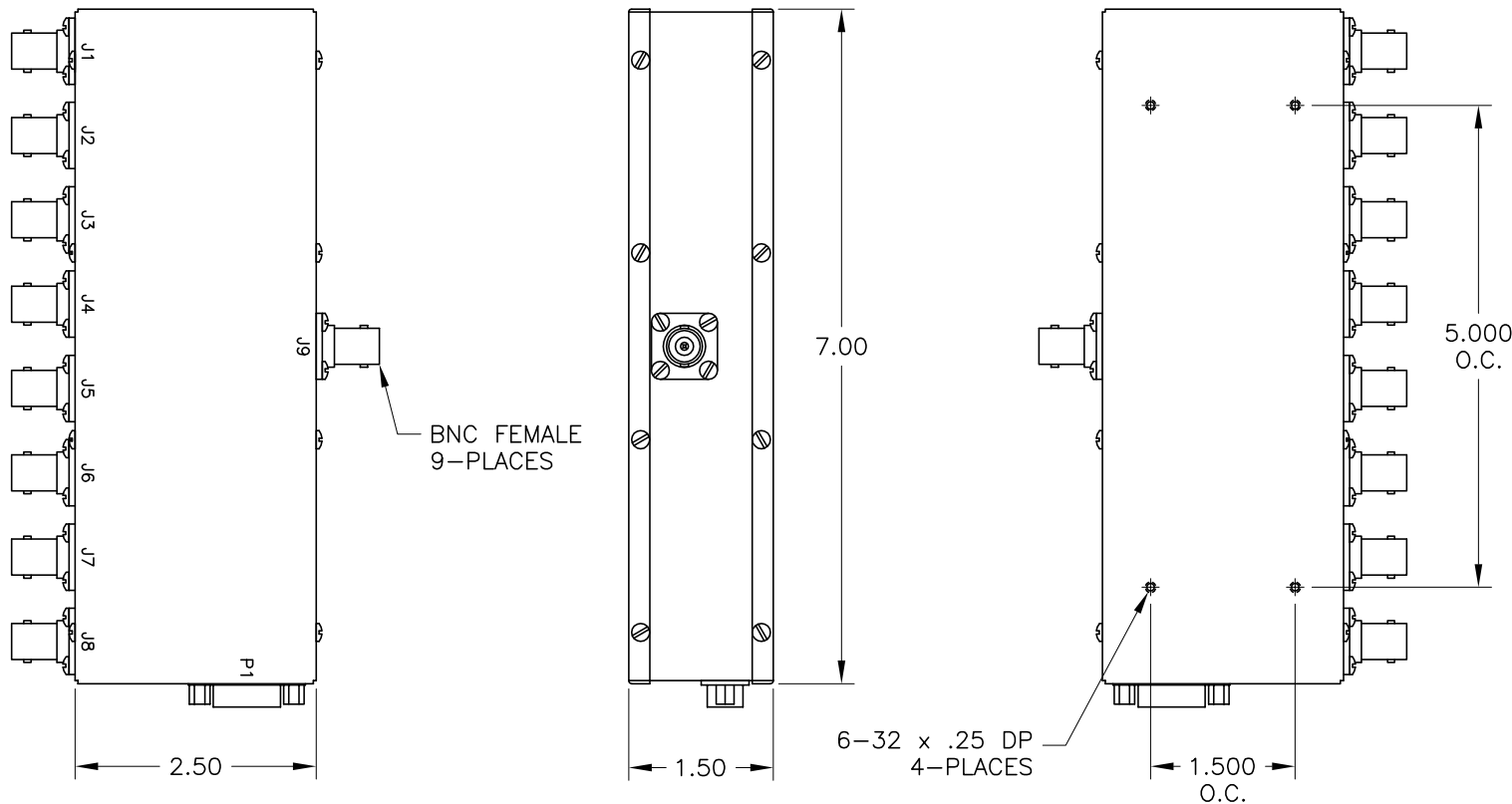


DETAIL A
DE-9P

PIN	FUNCTION
1	GROUND
2	CONTROL 2
3	CONTROL 3
4	CONTROL 4
5	CONTROL 5
6	CONTROL 6
7	CONTROL 7
8	CONTROL 8
9	GROUND

J9 TO	PIN NUMBER							
	2	3	4	5	6	7	8	
J2	1	0	0	0	0	0	0	
J3	0	1	0	0	0	0	0	
J4	0	0	1	0	0	0	0	
J5	0	0	0	1	0	0	0	
J6	0	0	0	0	1	0	0	
J7	0	0	0	0	0	1	0	
J8	0	0	0	0	0	0	1	

NOTE:
WITH NO POWER APPLIED
TO DE-9 CONNECTOR
COMMON IS FAILSAFE
CONNECTED TO J-1



				JFW INDUSTRIES, INC. INDIANAPOLIS, IN		PROPRIETARY INFORMATION	
						ALL SURFACES ARE TO BE FREE OF BURRS, PITS, & SCRATCHES	
REV	ECN	DATE	BY	DRAWN BY	B. ZEIHEN	DATE	5-7-98
A	7720	1-23-04	BZ	APP'D BY		SCALE	3/4
MATERIAL				BRASS			
FINISH				NICKEL			
DESCRIPTION				50S-XXX & 75S-XXX 1P8T COAXIAL SWITCH			
						TOLERANCES	
						FRACTIONAL DIM. ± 1/64	
						2 PLACE DECIMAL ± .010	
						3 PLACE DECIMAL ± .005	
						ANGULAR DIM. ± 1/2°	
						DWG NO.	
						092-2792	