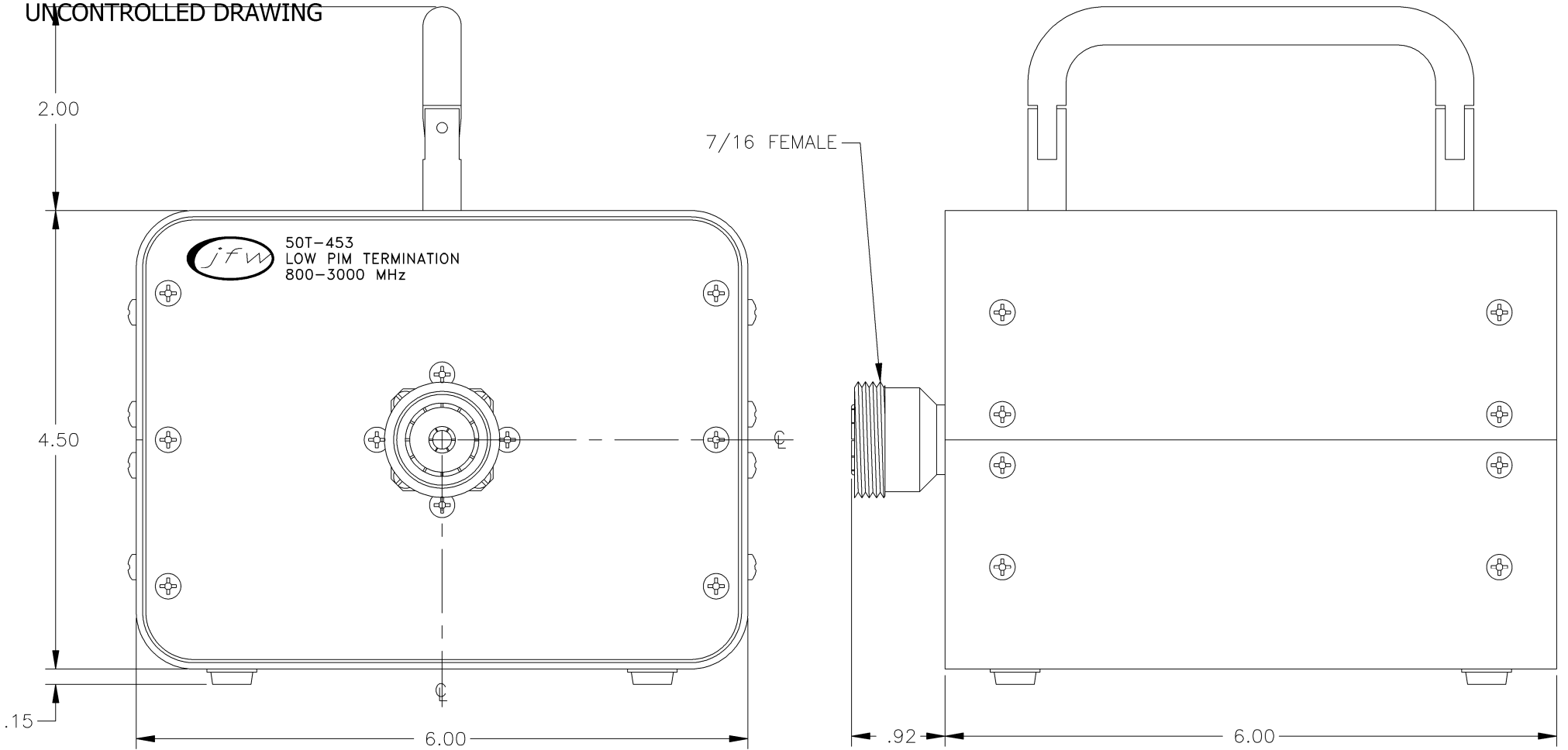



UNCONTROLLED DRAWING



				JFW INDUSTRIES, INC. INDIANAPOLIS, IN		PROPRIETARY INFORMATION	
						ALL SURFACES ARE TO BE FREE OF BURRS, PITS, & SCRATCHES	
REV	EDN	DATE	BY	DRAWN BY	B. ZEIHEN	DATE	10-31-05
A	12733	5-1-06	BZ	APP'D BY		SCALE	FULL
B	12892	6-6-06	BZ				
				MATERIAL	ALUMINUM ALLOY		
				FINISH	CASE: BLACK PAINT/FRONT & REAR: GRAY PAINT		
				DESCRIPTION	50T-453 LOW PIM TERMINATION		
							TOLERANCES FRACTIONAL DIM. ± 1/64 2 PLACE DECIMAL ± .010 3 PLACE DECIMAL ± .005 ANGULAR DIM. ± 1/2°
							DWG NO. 092-4965