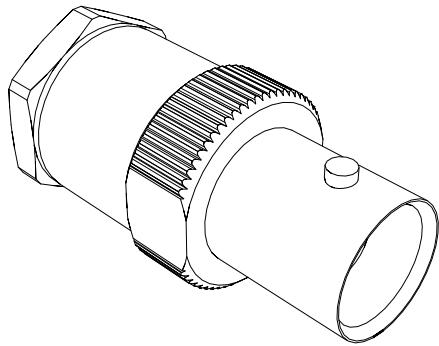
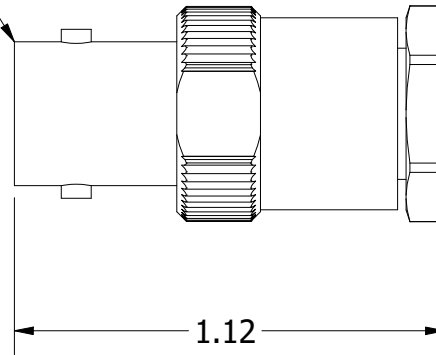


BNC FEMALE



REV	ECN	DATE	BY	APPR
-	ISSUED	8-6-97	CDJ	FDW
A	5339	8-6-97	CDJ	FDW
B	10111	11-3-04	BZ	TEZ
C	24444	9-6-19	GM	JZ



JFW INDUSTRIES, INC.

www.jfwindustries.com

PH: 317-887-1340

MATERIAL	PROPRIETARY INFORMATION
FINISH	ALL SURFACES ARE TO BE FREE OF BURRS, PITS & SCRATCHES
MODEL	TOLERANCES
DESCRIPTION	.XX±.010 .XXX±.005 XX°±.5°
SCALE	x2
TERMINATION	
092-191	