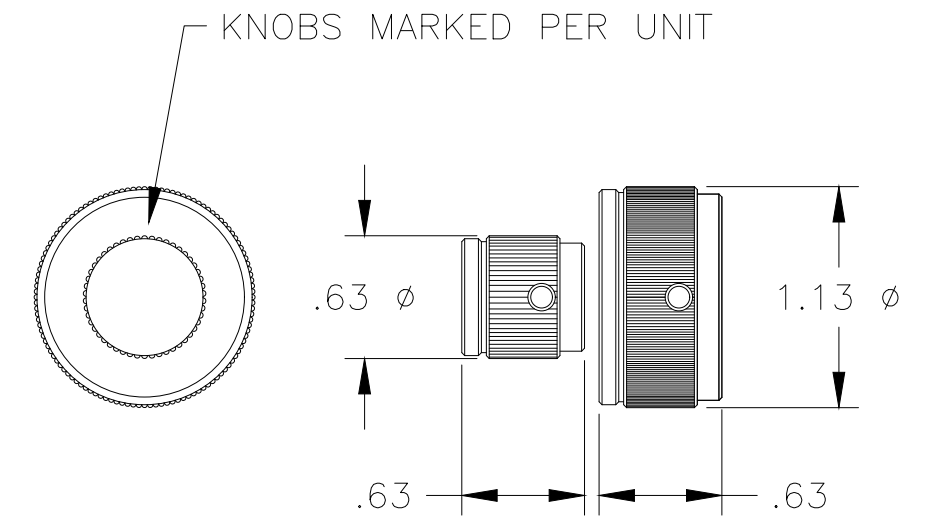
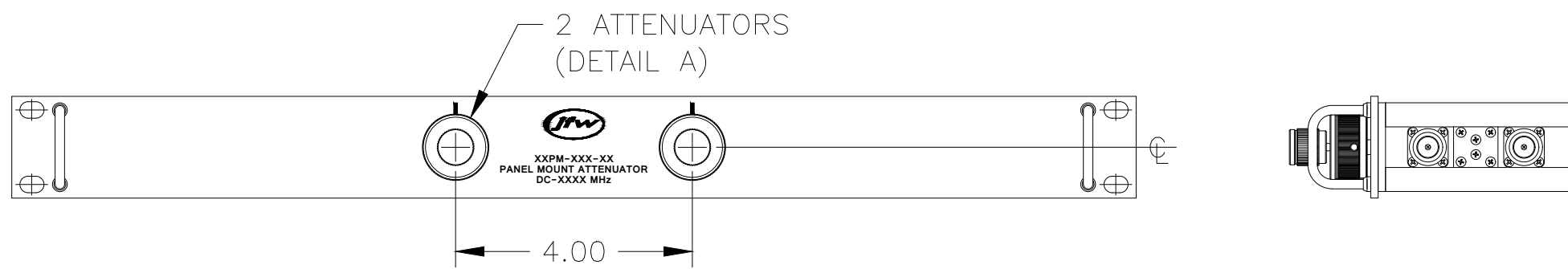


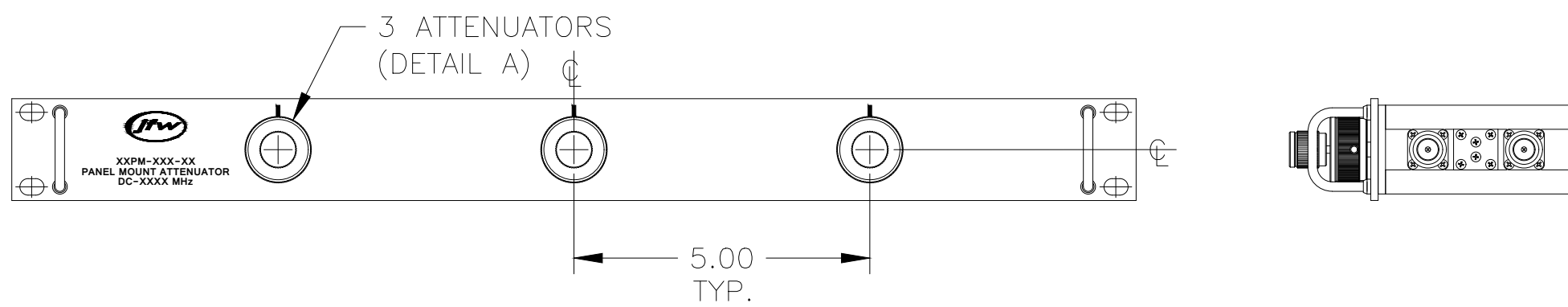
50PM-XXX-01
75PM-XXX-01
1 ATTENUATOR



DETAIL A: KNOB DETAILS



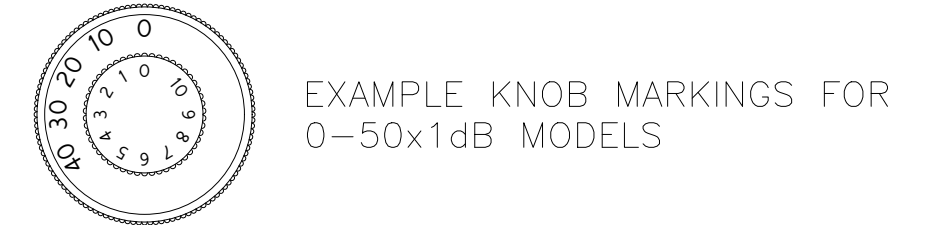
50PM-XXX-02
75PM-XXX-02
2 ATTENUATORS



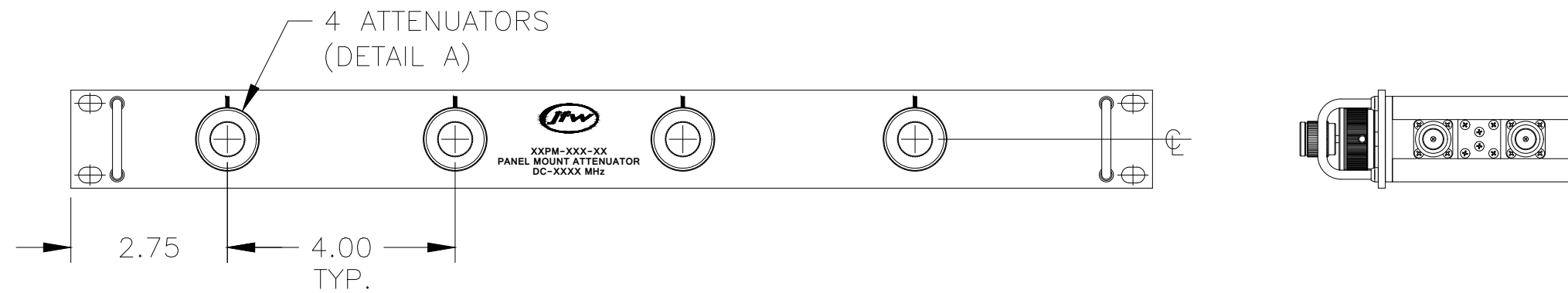
50PM-XXX-03
75PM-XXX-03
3 ATTENUATORS



EXAMPLE KNOB MARKINGS FOR 0-70x1dB MODELS



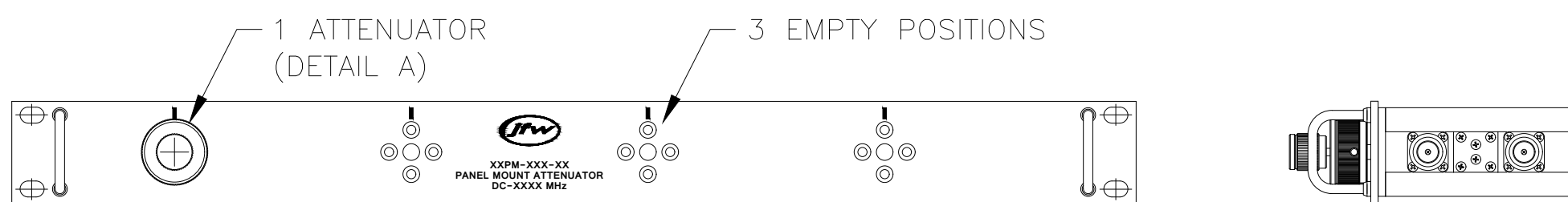
EXAMPLE KNOB MARKINGS FOR 0-50x1dB MODELS



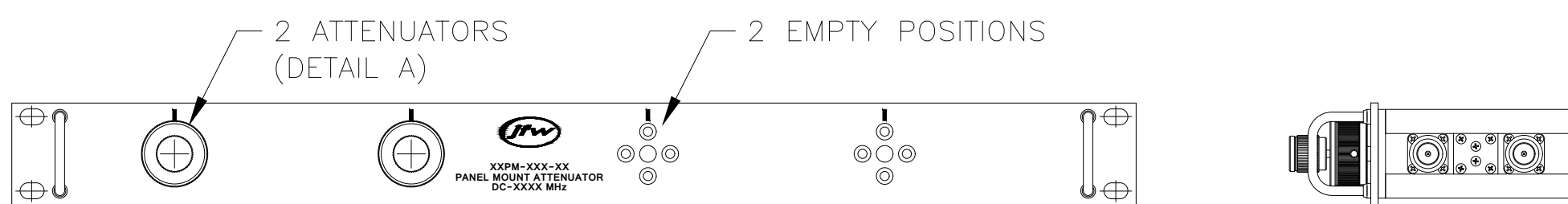
50PM-XXX-04
75PM-XXX-04
4 ATTENUATORS



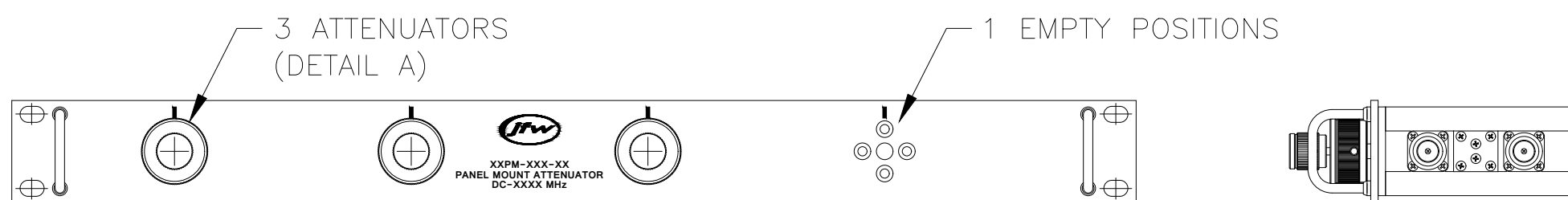
EXAMPLE KNOB MARKINGS FOR 0-11x0.1dB MODELS



50PM-XXX-01-3EP
75PM-XXX-01-3EP
1 ATTENUATOR
3 EMPTY POSITIONS



50PM-XXX-02-2EP
75PM-XXX-02-2EP
2 ATTENUATORS
2 EMPTY POSITIONS



50PM-XXX-03-1EP
75PM-XXX-03-1EP
3 ATTENUATORS
1 EMPTY POSITION

NOTE:
ALL ATTENUATOR POSITIONS ARE SCREENED
ON PANEL TO ALLOW FOR FUTURE EXPANSION

REV	ECN	DATE	BY	APPR	JFW INDUSTRIES, INC.		
-	ISSUED	6-3-16	JZ	TEZ	www.jfwindustries.com PH: 317-887-1340		
A	28119	9-25-17	DTS	TRS			
B	30109	1-20-19	GM	JZ			
					MATERIAL	ALUMINUM ALLOY	PROPRIETARY INFORMATION
					FINISH	CHEMFILM TCP / FRONT: BLACK	ALL SURFACES ARE TO BE FREE OF BURRS, PITS, & SCRATCHES
					MODEL	XXPM-XXX-XX	TOLERANCES .XX±.010 .XXX±.005 XX'±.5'
					DESCRIPTION	PANEL MOUNT ATTENUATOR	DWG # 092-8564-01
					SCALE	3/8	