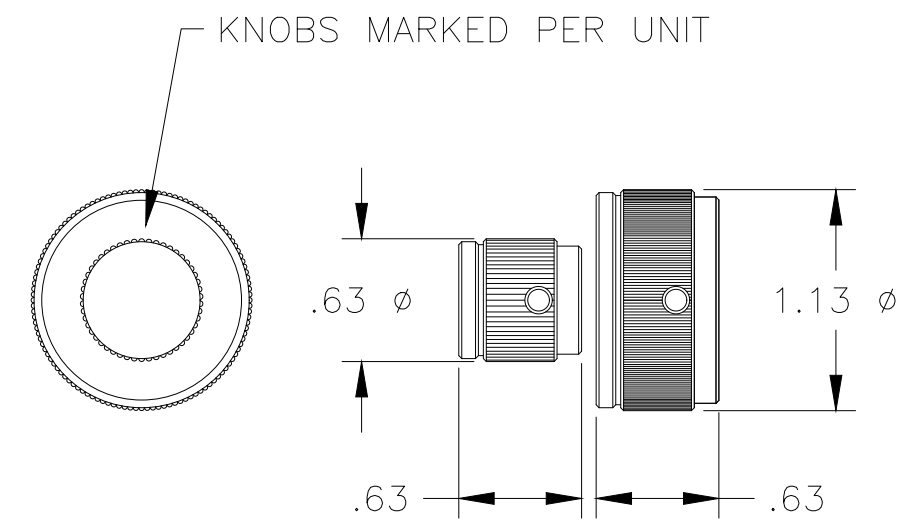
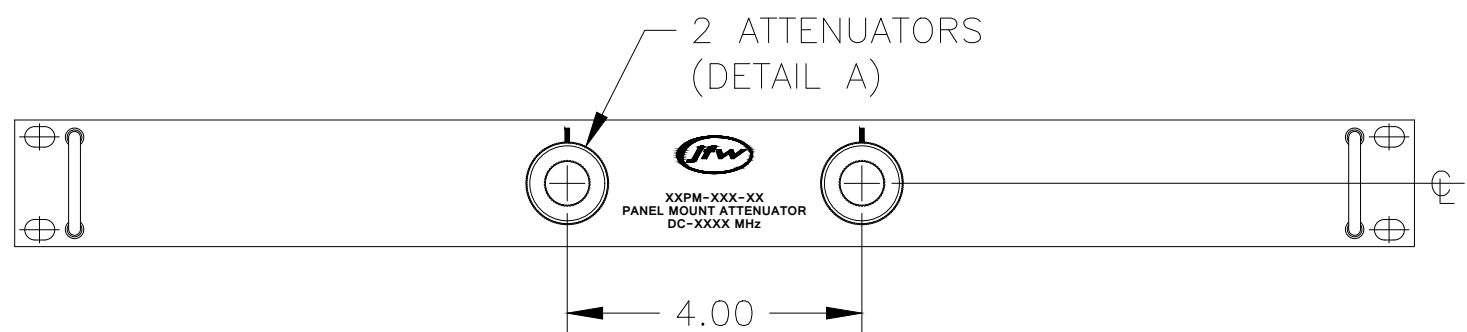


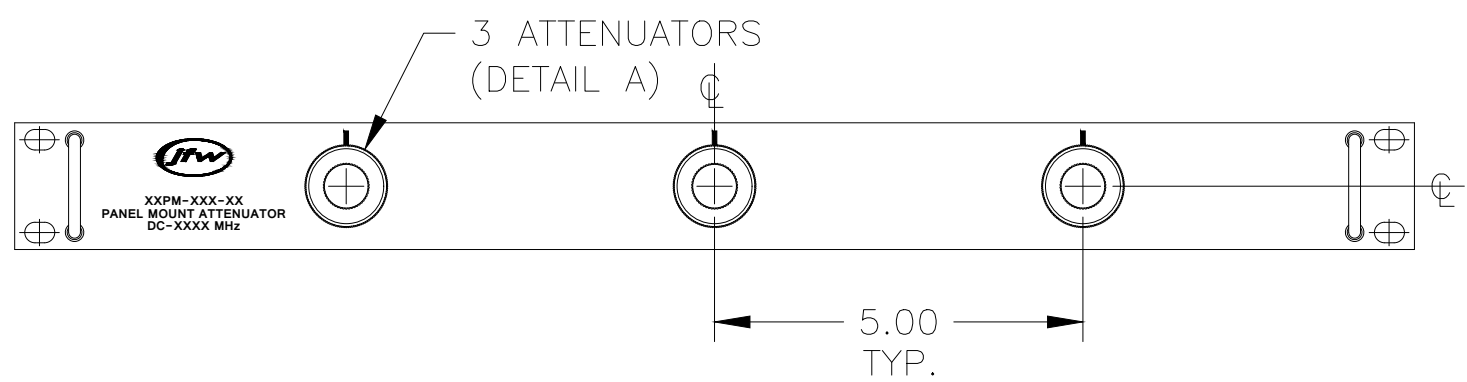
50PM-XXX-01  
75PM-XXX-01  
1 ATTENUATOR



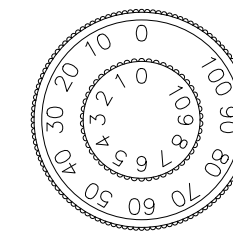
DETAIL A: KNOB DETAILS



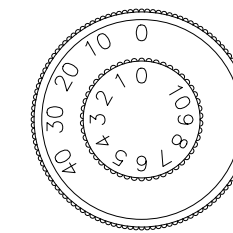
50PM-XXX-02  
75PM-XXX-02  
2 ATTENUATORS



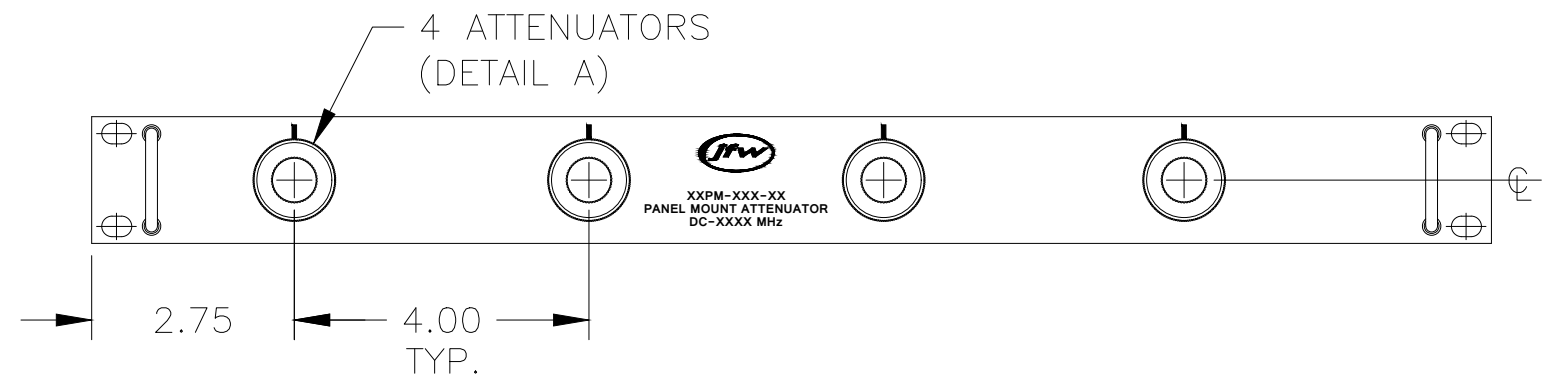
50PM-XXX-03  
75PM-XXX-03  
3 ATTENUATORS



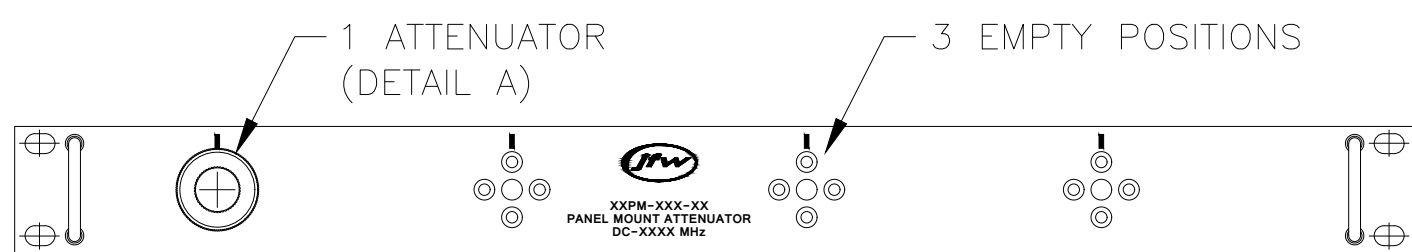
EXAMPLE KNOB MARKINGS FOR 0-110X1dB MODELS



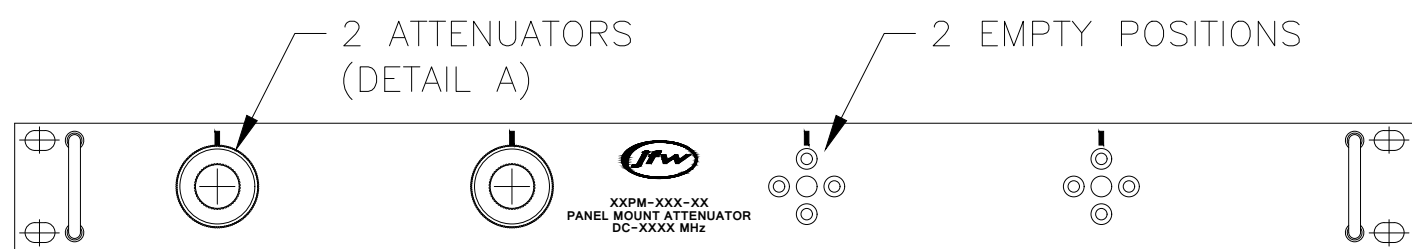
EXAMPLE KNOB MARKINGS FOR 0-50X1dB MODELS



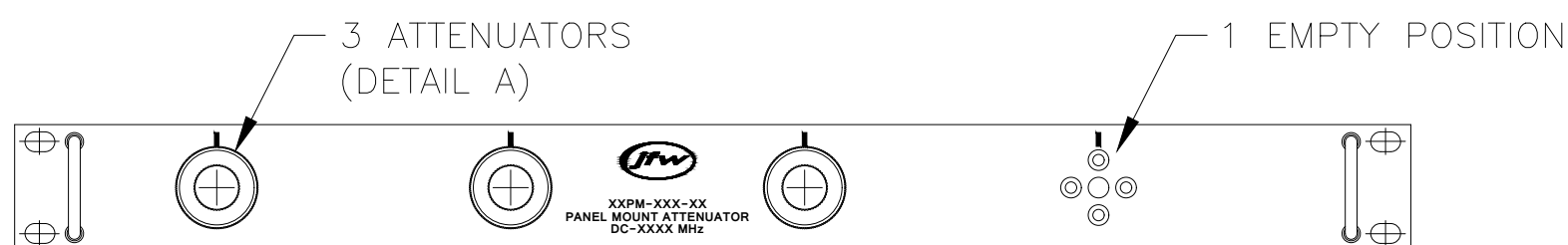
50PM-XXX-04  
75PM-XXX-04  
4 ATTENUATORS



50PM-XXX-01-3EP  
75PM-XXX-01-3EP  
1 ATTENUATOR  
3 EMPTY POSITIONS



50PM-XXX-02-2EP  
75PM-XXX-02-2EP  
2 ATTENUATORS  
2 EMPTY POSITIONS



50PM-XXX-03-1EP  
75PM-XXX-03-1EP  
3 ATTENUATORS  
1 EMPTY POSITION

NOTE:  
ALL ATTENUATOR POSITIONS ARE SCREENED  
ON PANEL TO ALLOW FOR FUTURE EXPANSION

REV	ECN	DATE	BY	APPR	JFW INDUSTRIES, INC.	
-	ISSUED	3-1-16	JZ	TEZ	www.jfwindustries.com PH: 317-887-1340	
A	26695	6-3-16	TEZ	TEZ	MATERIAL ALUMINUM ALLOY PROPRIETARY INFORMATION	
B	28119	9-25-17	DTS	TRS	FINISH CHEMFILM TCP / FRONT: BLACK ALL SURFACES ARE TO BE FREE OF BURRS, PITS, & SCRATCHES	
					MODEL	XXPM-XXX-XX SCALE 3/8 TOLERANCES .XX±.010 .XXX±.005 .XX±.5'
					DESCRIPTION	PANEL MOUNT ATTENUATOR DWG # 092-8564