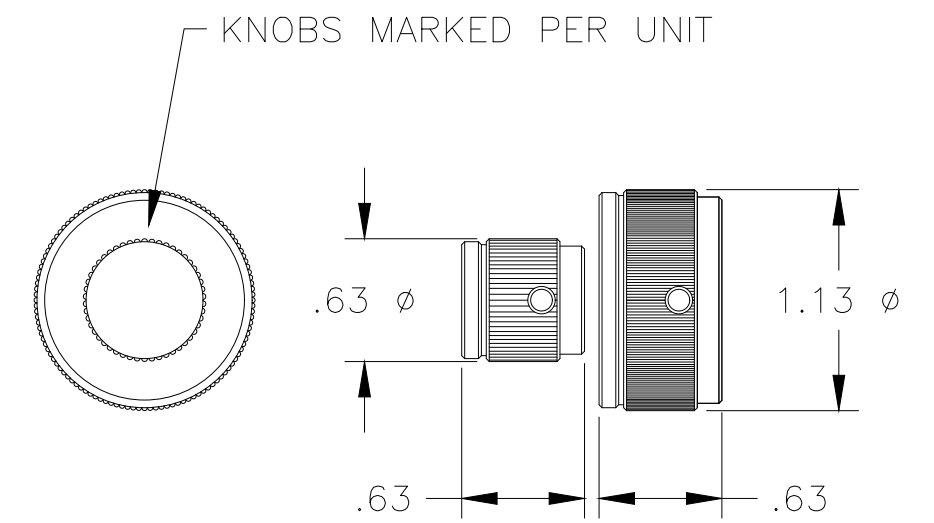
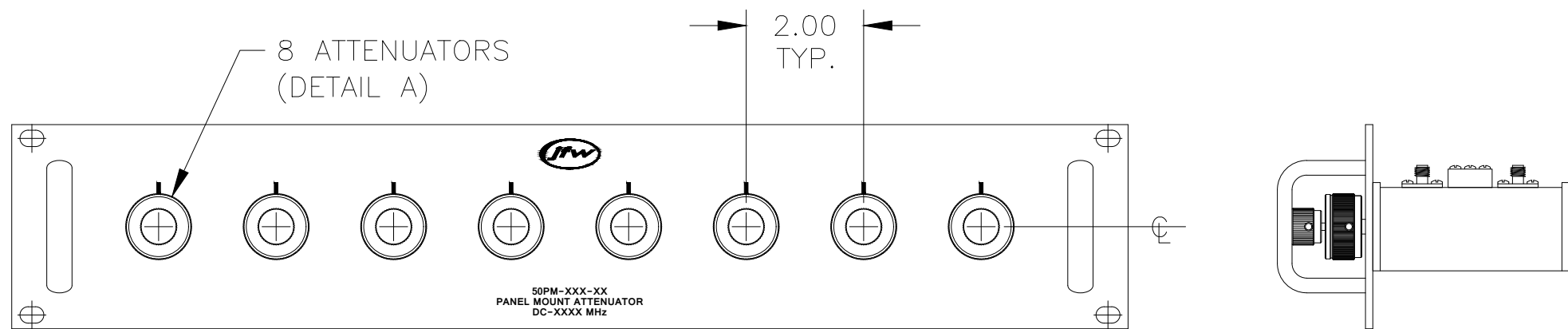


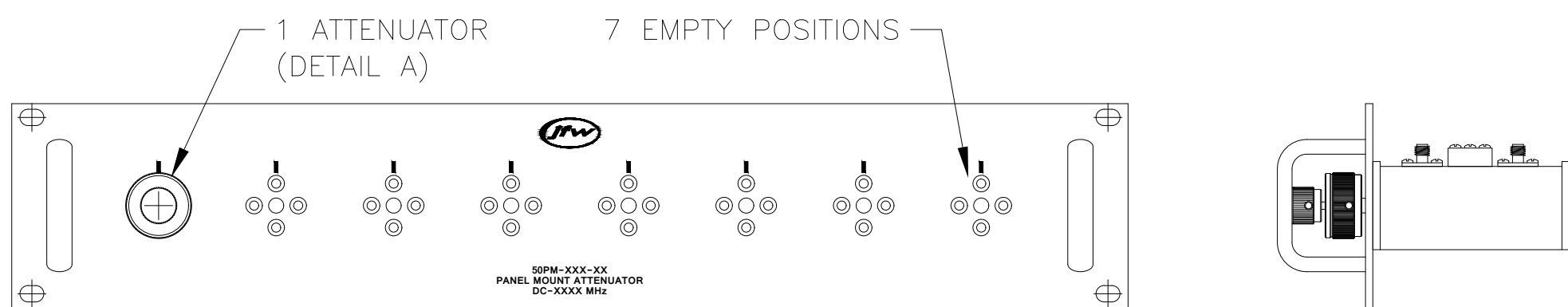
50PM-XXX-06
75PM-XXX-06
6 ATTENUATORS



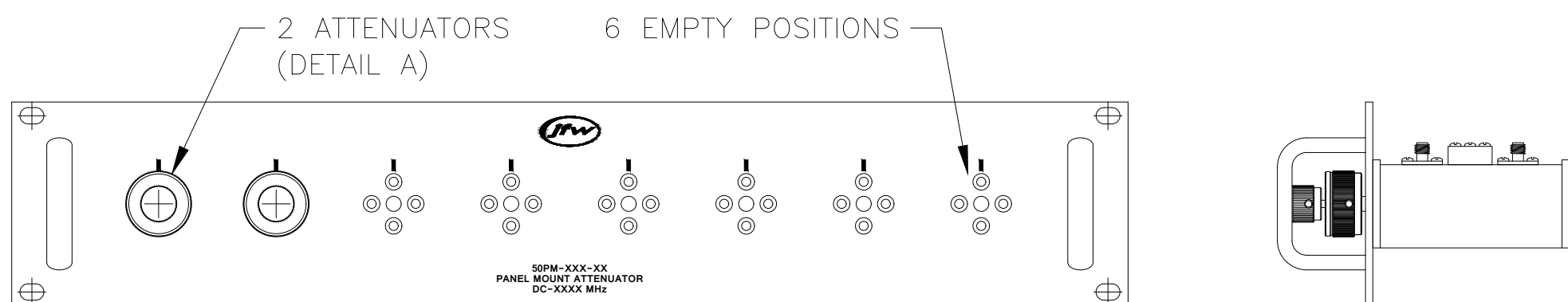
DETAIL A: KNOB DETAILS



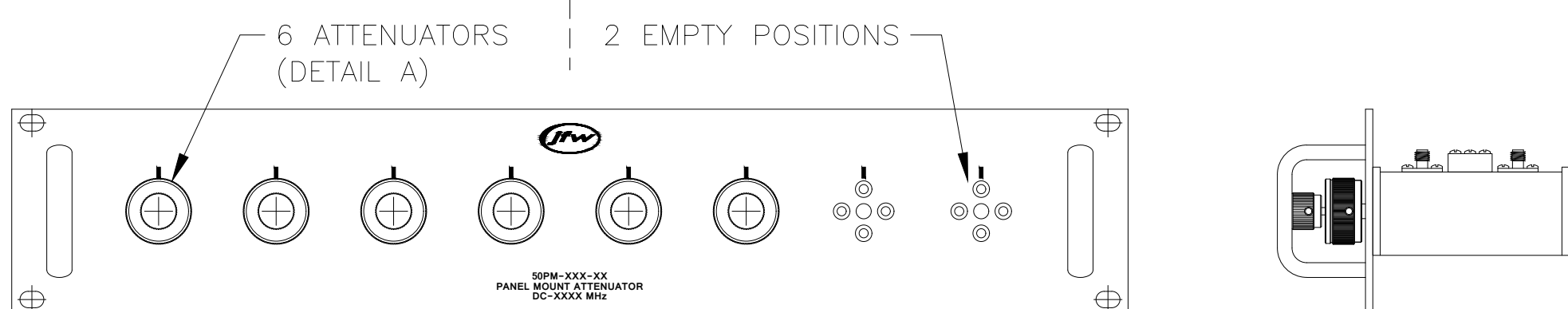
50PM-XXX-08
75PM-XXX-08
8 ATTENUATORS



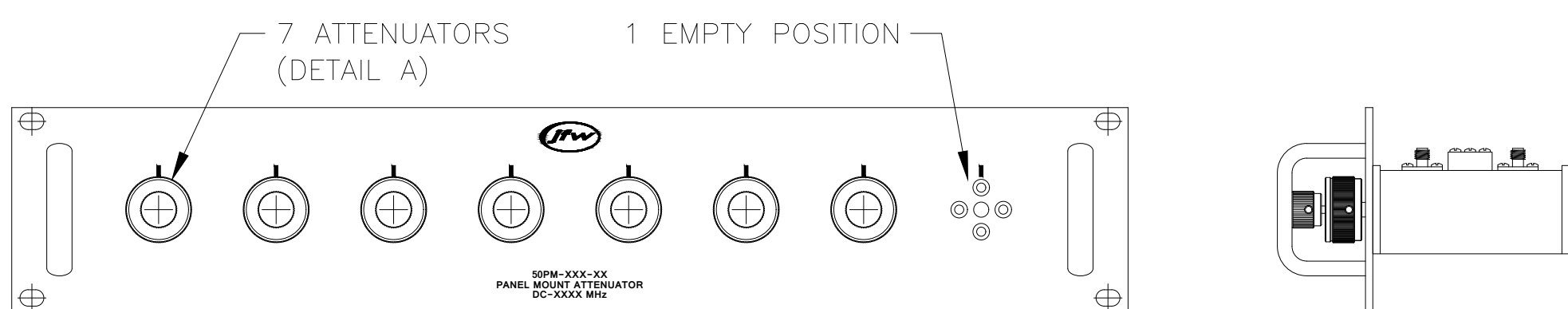
50PM-XXX-01-7EP
75PM-XXX-01-7EP
1 ATTENUATOR
7 EMPTY POSITIONS



50PM-XXX-02-6EP
75PM-XXX-02-6EP
2 ATTENUATORS
6 EMPTY POSITIONS



50PM-XXX-06-2EP
75PM-XXX-06-2EP
6 ATTENUATORS
2 EMPTY POSITIONS



50PM-XXX-07-1EP
75PM-XXX-07-1EP
7 ATTENUATORS
1 EMPTY POSITION

NOTE:
ALL ATTENUATOR POSITIONS ARE SCREENED
ON PANEL TO ALLOW FOR FUTURE EXPANSION

REV	ECN	DATE	BY	APPR			
-	ISSUED	6-6-16	DTS	TRS			
A	28119	9-25-17	DTS	TRS			
B	30564	7-28-20	TEZ	TEZ			

JFW INDUSTRIES, INC. www.jfwindustries.com PH: 317-887-1340		PROPRIETARY INFORMATION ALL SURFACES ARE TO BE FREE OF BURRS, PITS, & SCRATCHES TOLERANCES .XX±.010 .XXX±.005 .XX±.5' DWG #
MATERIAL	ALUMINUM ALLOY	
FINISH	CHEMFILM TCP / FRONT: BLACK	
MODEL	XXPM-XXX-XX	SCALE 3/8
DESCRIPTION	PANEL MOUNT ATTENUATOR	
		092-8565-01