

RF TEST SYSTEMS

JFW INDUSTRIES

317-887-1340

877-887-4539

www.jfwindustries.com



Attenuator Assemblies
Transceiver Testing
RF Switch Assemblies
RF Matrix Switches
Handover Test Systems
Custom RF Test Systems



Additional JFW Brochures



50 Ohm Components Brochure

An overview of JFW's 50 Ohm components, covering frequencies up to 18 GHz.

- Programmable Attenuators
- Manually Variable Attenuators
- Fixed Attenuators
- Terminations
- RF Switches
- Power Dividers and Combiners
- Impedance Matching Pads
- DC Blocks
- RF Detectors
- Bias Taps

75 Ohm Components Brochure

See what JFW has to offer for cable TV and other 75 Ohm applications, including:

- Programmable Attenuators
- Rotary Attenuators
- Fixed Attenuators
- Terminations
- RF Switches
- Power Dividers
- Impedance Matching Pads
- DC Blocks
- RF Detectors
- Bias Taps



www.jfwindustries.com

JFW's Quality Policy

“JFW is committed to anticipating and exceeding customer’s requirements and expectations through cost-competitive, quality products and services that are delivered on time and through continual improvements to our quality management system.”

JFW's Standard Terms and Conditions

JFW Industries, Inc. has standard terms of Net 30 days with approved credit.

Alternate methods of payment include MASTERCARD,
American Express, VISA, COD or ADVANCE PAYMENT.

International Payment Terms are ADVANCE PAYMENT or
MASTERCARD, American Express and VISA.

Any other payment terms must be negotiated in advance.

Shipping terms are FOB JFW Ind for Domestic Customers and
FCA JFW Ind for International Customers.

ALL SHIPPING CHARGES will be PREPAID and ADDED TO THE INVOICE or
SHIPPED COLLECT VIA YOUR DESIGNATED FREIGHT CARRIER.

JFW INDUSTRIES WARRANTY

JFW PRODUCTS ARE WARRANTED AGAINST DEFECTS IN WORKMANSHIP AND MATERIAL UNDER NORMAL USE AND SERVICE AS FOLLOWS: (2) TWO YEARS FROM DATE OF SHIPMENT FOR ALL FIXED AND SOLID STATE PRODUCTS. (1) ONE YEAR FROM DATE OF SHIPMENT FOR ALL MECHANICAL AND ELECTRO-MECHANICAL PRODUCTS. JFW INDUSTRIES' ONLY OBLIGATION UNDER THIS WARRANTY IS TO REPAIR OR REPLACE, AT ITS FACTORY, ANY JFW PRODUCT OR PART THEREOF THAT IS RETURNED TO JFW INDUSTRIES BY THE ORIGINAL PURCHASER WITHIN THE WARRANTY PERIOD.

THE WARRANTY STATED ABOVE IS YOUR SOLE AND EXCLUSIVE WARRANTY AND IS IN LIEU OF ALL OTHER WARRANTIES, EXPRESSED OR IMPLIED, INCLUDING, BUT NOT LIMITED TO, ANY IMPLIED WARRANTY OR FITNESS FOR ANY PARTICULAR PURPOSE. JFW INDUSTRIES SHALL NOT BE LIABLE FOR ANY DIRECT OR CONSEQUENTIAL INJURY, LOSS OR DAMAGE INCURRED THROUGH THE USE, OR INABILITY TO USE, ANY JFW INDUSTRIES PRODUCT.



JFW Industries, Inc.
5134 Commerce Square Drive
Indianapolis, Indiana 46237
Call-317-887-1340
Toll Free-877-887-4JFW (4539)
Fax-317-881-6790

E-mail: sales@jfwindustries.com

JFW International Sales
7 Albion Road
South Benfleet
Essex, UK SS7 5PU
Phone +44 7768-662666
Fax +44 1268-795377

E-mail: simon@jfwindustries.com

Programmable Attenuator Assemblies

- Single or multiple programmable attenuators
- 19" rack or benchtop packages
- Remote control via Ethernet, RS-232 or GPIB
- Front panel manual control available



4 attenuators
10" x 10" x 4.5" benchtop enclosure



4 attenuators
2RU 19" rack enclosure



9 attenuators
12" x 10" x 5" benchtop enclosure

24 attenuators
3RU 19" rack enclosure
No front panel control
N inputs on rear / SMA outputs on front

Visit www.jfwindustries.com/PA for model numbers.

Programmable Attenuator Assemblies

Mini Benchtop Series

- Economy series with simplified front panel control
- Visually monitor attenuation settings on all ports
- Can manually perform handovers via front panel toggle switches
- Available with 1, 2, 3 or 4 attenuators
- Remote commands and GUI identical to 19" rack models
- Frequency coverage 30-3000 MHz or 200-6000 MHz



1 attenuator – N Connectors
6.75" x 6.75" x 3.25" benchtop box
Also available with SMA connectors.



2 attenuators – N Connectors
9" x 9" x 4" benchtop box
Also available with SMA connectors.



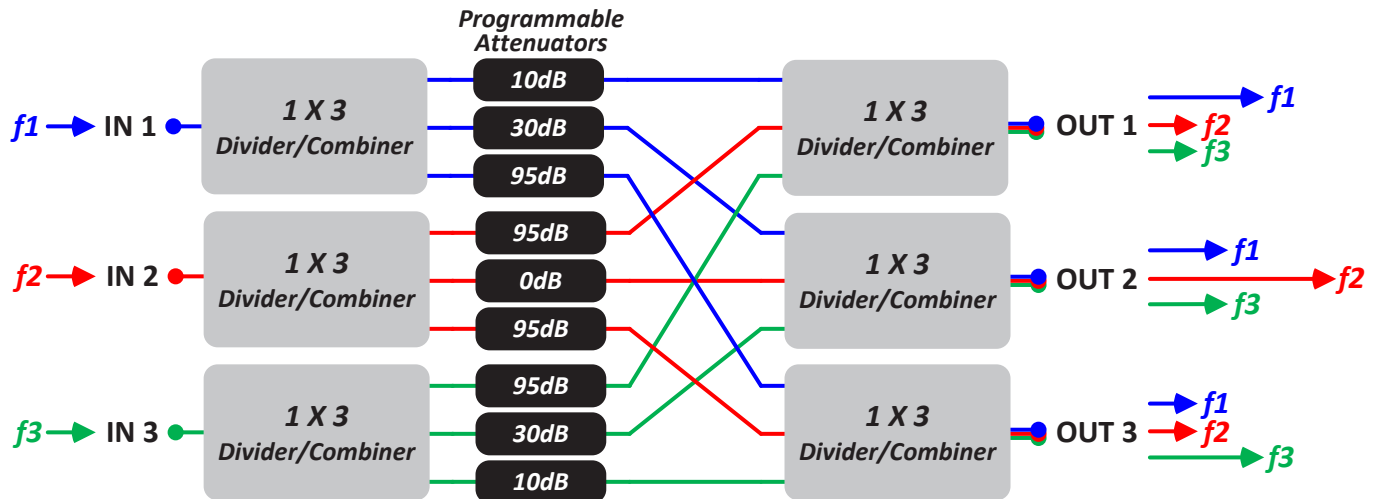
4 attenuators – SMA Connectors
9" x 9" x 4" benchtop box

Visit www.jfwindustries.com/BA for model numbers.

Handover Systems

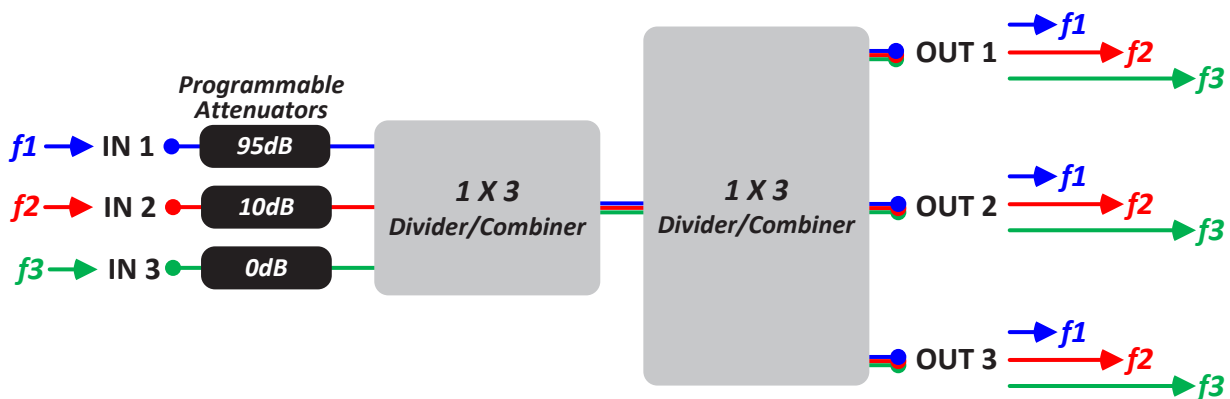
Full Fan-Out

- Allows for simultaneous testing of multiple devices
- Cost scales with number of programmable attenuators



LC (Limited Fan-Out Configuration)

- Lower cost due to fewer attenuators (3 vs 9 for full fan-out in this example)
- Used for testing multiple devices in parallel



Manual Handover Systems

Manual versions using rotary attenuators instead of programmables are also available.

Visit www.jfwindustries.com/Handover for model numbers.

RF Switch Assemblies

- Assemblies can contain a single switch or a bank of switches
- Switches can be solid-state or electro-mechanical
- Assemblies can also include other components, such as programmable attenuators or power dividers



(2) 1P4T solid-state 50 Ohm switches
2RU 19" rack enclosure



(8) 1P4T electro-mechanical switches (DC-18 GHz)
Expandable to 12 switches
3RU 19" rack enclosure



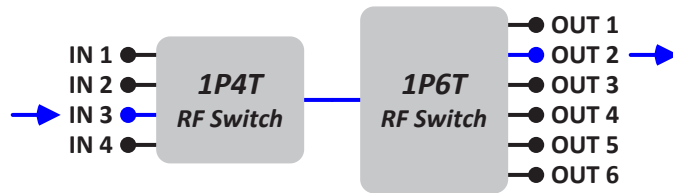
(10) 1P4T solid-state 75 Ohm switches
4RU 19" rack enclosure

Visit www.jfwindustries.com/SA for model numbers.

Matrix Switches

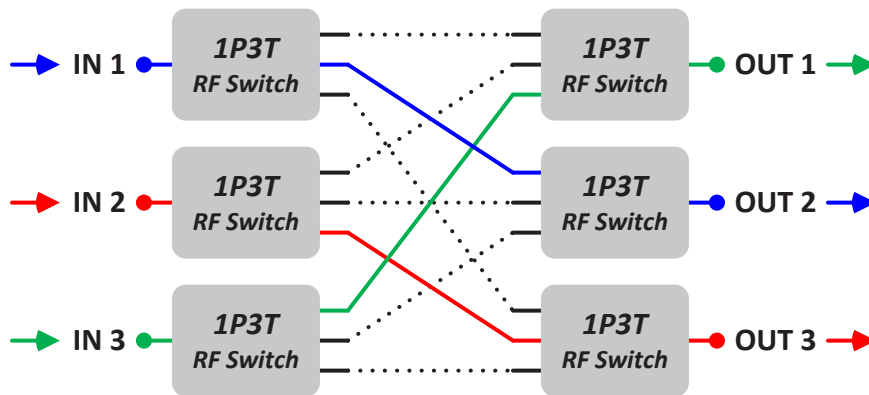
Common Highway Matrix Switches

- One active path
- Very cost effective



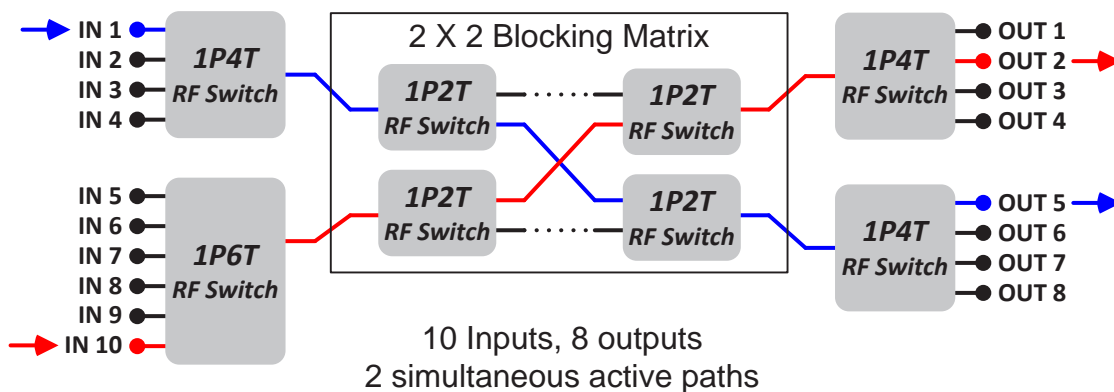
Blocking Matrix Switches

- Multiple active paths. Number of active paths determined by the lesser of the # of inputs or outputs. So for a 4x8 Blocking Matrix Switch, there would be a maximum of 4 simultaneously active paths



LC Blocking Matrix Switches

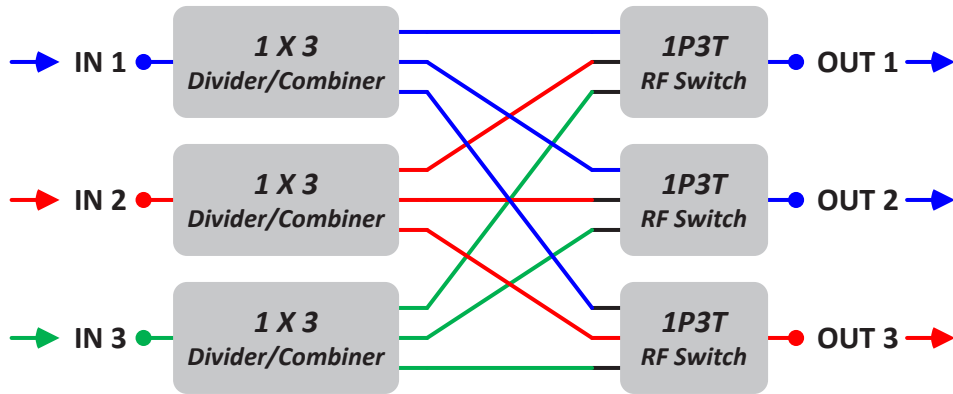
- Multiple active paths. Number of active paths determined by the size of the matrix
- Additional switches increase the maximum number of inputs and outputs
- Less costly than a standard Blocking Matrix Switch with the same number of ports



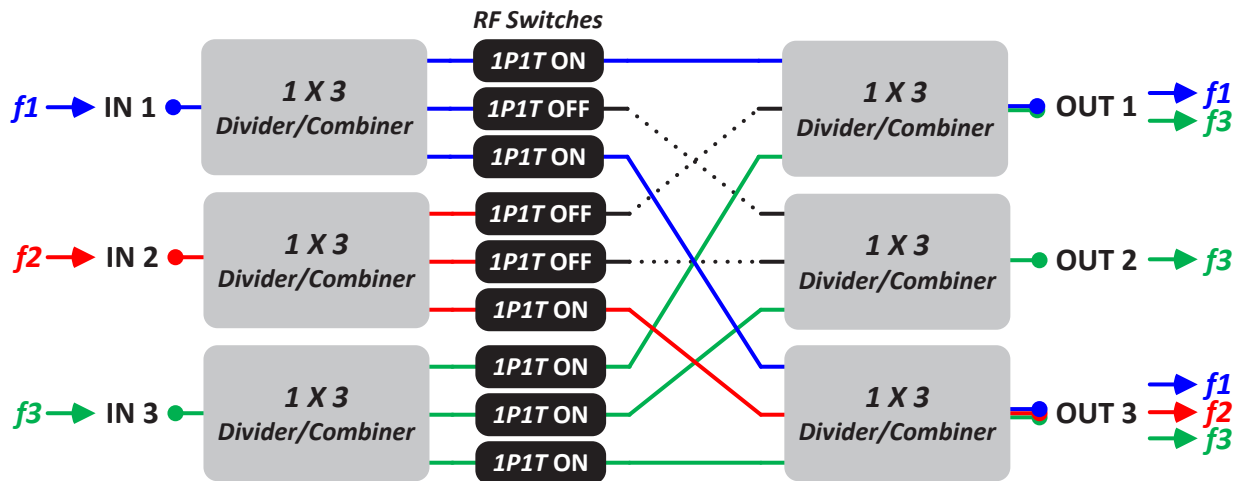
Visit www.jfwindustries.com/MS for model numbers.

Non-Blocking Matrix Switches

Non-Blocking Matrix Switches



Super-Non-Blocking Matrix Switches



Size	Interconnects
2x4	8
4x4	16
4x8	32
8x8	64
8x16	128
16x16	256
16x32	512

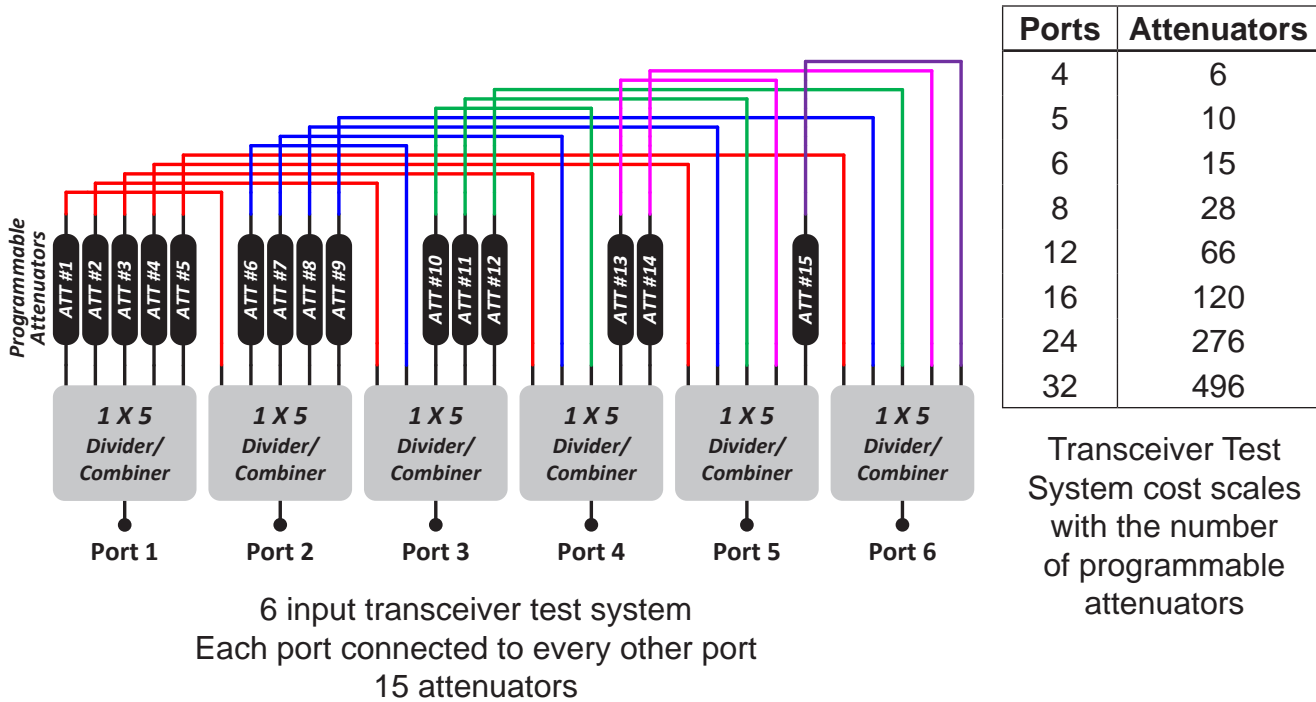
Matrix switch costs scale with the number of interconnects



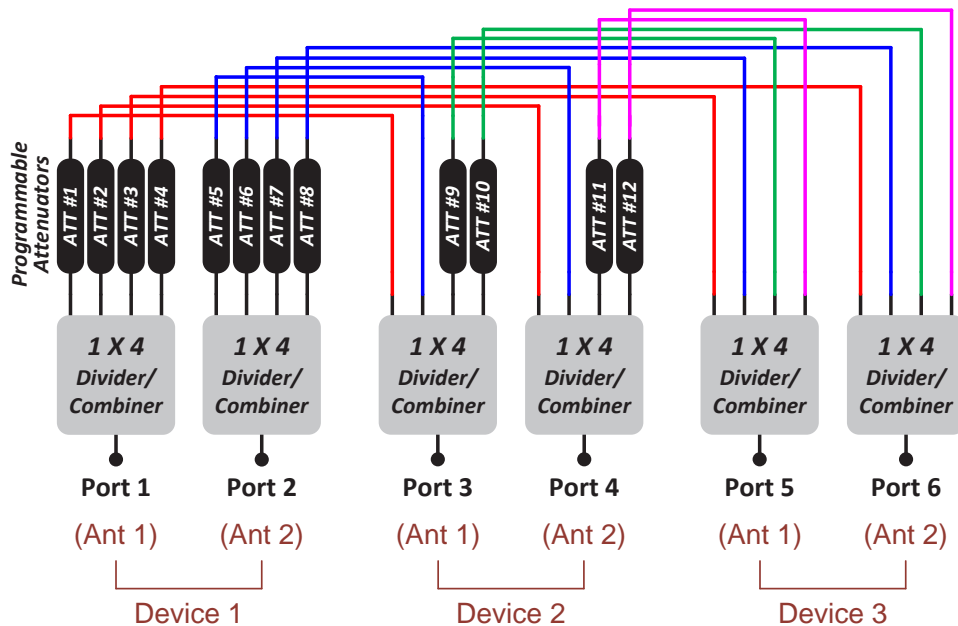
Visit www.jfwindustries.com/MS for model numbers.

Transceiver Test Systems

Full Fan-Out



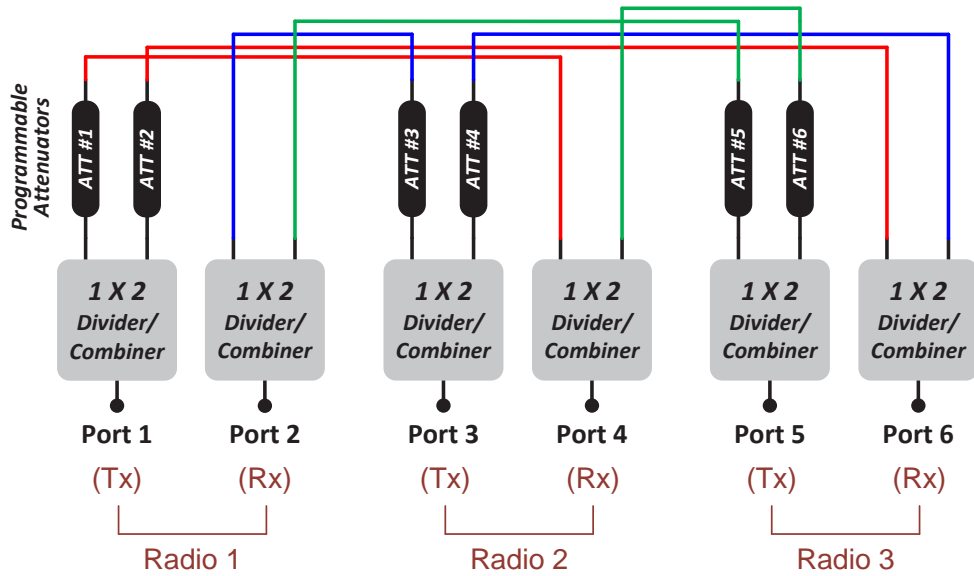
Variation 1: Unconnected Pairs



Visit www.jfwindustries.com/PMA for model numbers.

Transceiver Test Systems

Variation 2: Separate Tx & Rx



6 input transceiver test system
Testing 3 radios with separate Tx and Rx ports
6 attenuators

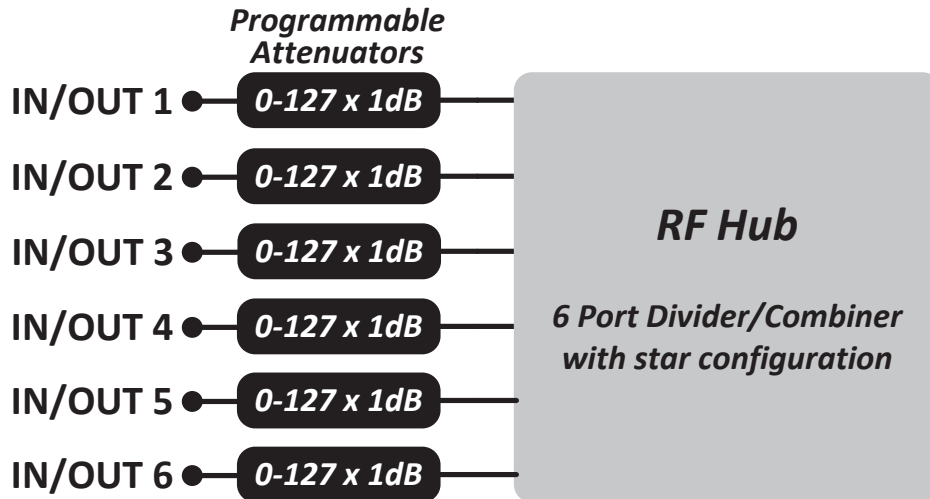


8 port Transceiver Test System
28 programmable attenuators
5RU 19" rack enclosure

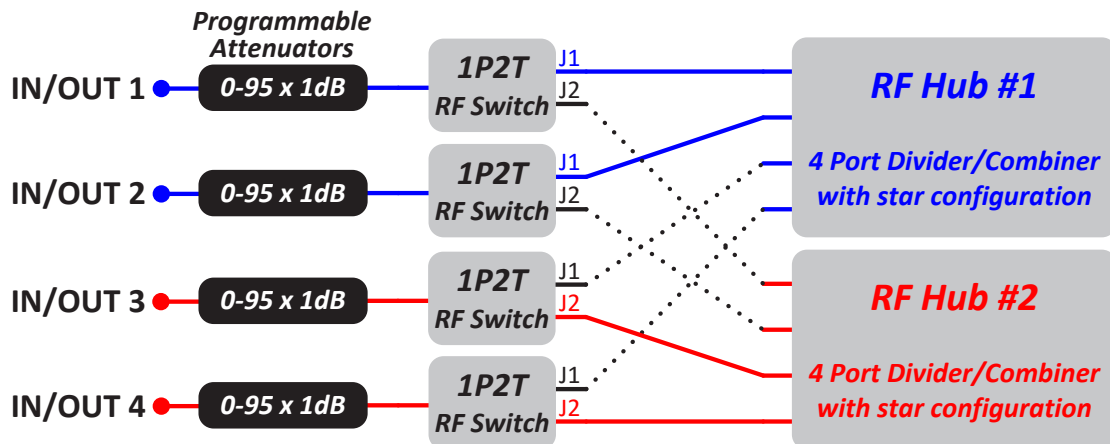
Visit www.jfwindustries.com/PMA for model numbers.

Transceiver Test Systems with RF Hubs

1 RF Hub



Configurable with 2 RF Hubs



Visit www.jfwindustries.com/PMA for model numbers.

Other Products

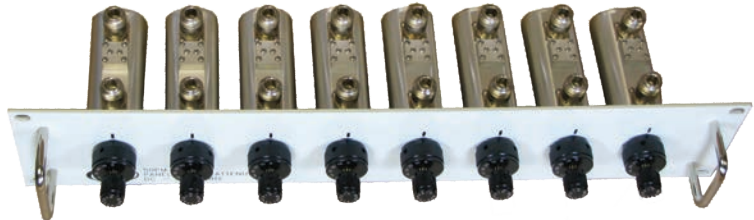
Control Boxes

Used to interface with multiple JFW programmable attenuators or RF switches



Panel Mounted Rotary Attenuators

(8) rotary attenuators mounted in a 2RU 19" rack panel



Panel Mounted Power Dividers

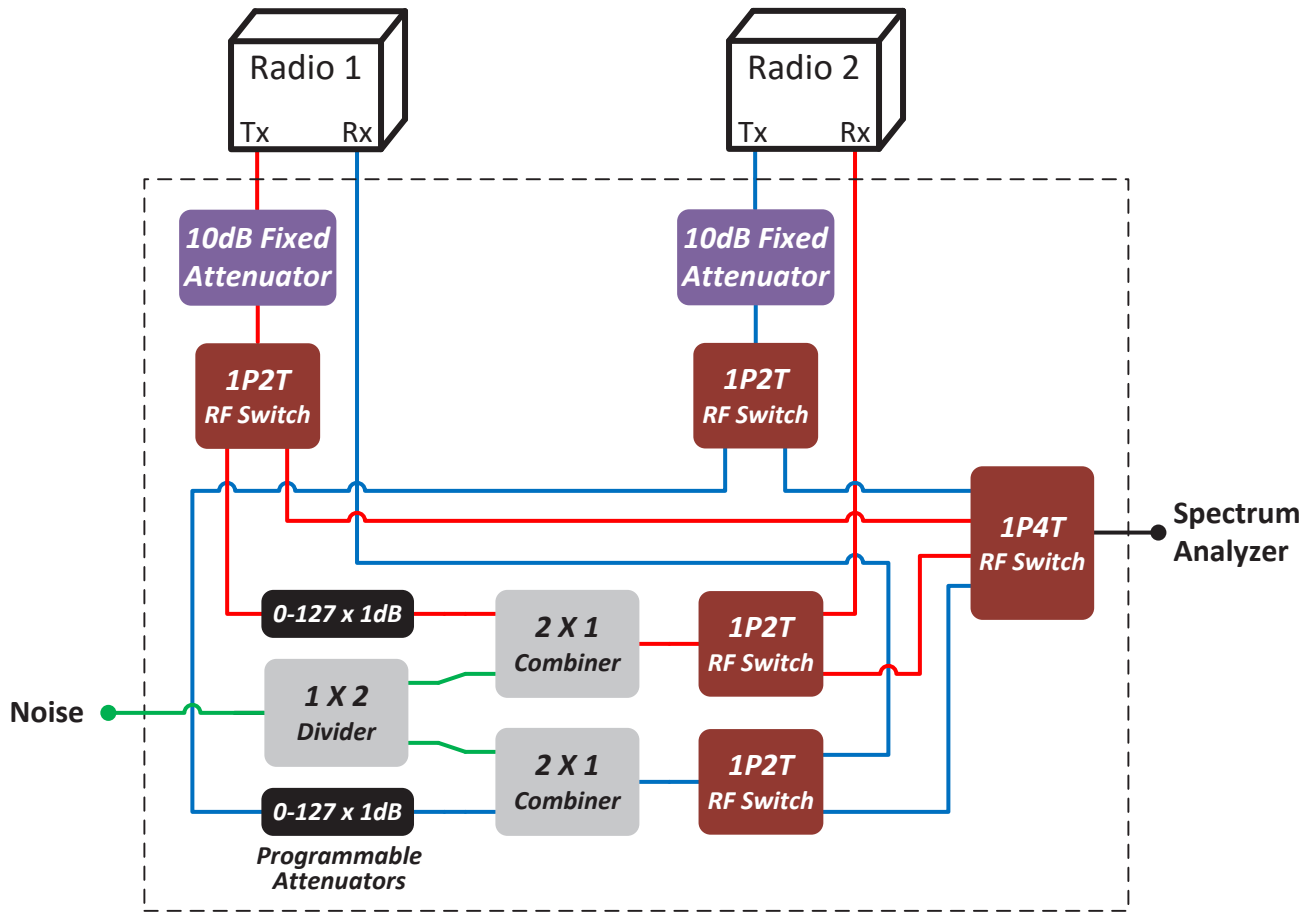


Attenuator Assemblies

(4) 100W fixed attenuators in a 2RU 19" rack box



Custom Test Systems



Available Features



Custom Enclosure



Block Diagram on Front Panel
w/ LED indicators



Custom Labeling &
RF Connector Placement

amplifiers
circulators
duplexers
filters
couplers
limiters

Usage of non-JFW components

Our custom test boxes can include many components that JFW does not manufacture.

Remote Commands

See firmware manual for a list of all remote commands.

System Commands
Identification
Help
Serial
Net
Close
Disconnect
Reboot
Date
Uptime
MOTD
Name
Show Users
Message
Prompt
Store
Recall

Attenuator Commands
Set Attenuator
Read Attenuator
Set All Attenuators
Read All Attenuators
Fade Attenuator
Block
Set Block
Read Block
Read All Blocks
Fade Block
Set Path
Read Path
Read All Paths

Switch & Matrix Commands
Set Switch
Read Switch
Set All Switches
Read All Switches
Set Input
Set Output
Read Input
Read Output
Read Matrix Paths

Command Examples

Setting an attenuator:

SA 2 10<CR> Set attenuator 2 to 10 dB
SA 5 63<CR> Set attenuator 5 to 63 dB

Reading an attenuator:

RA 1<CR> Read attenuator 1
Atten #1 = 127dB<CR><LF> Response from system

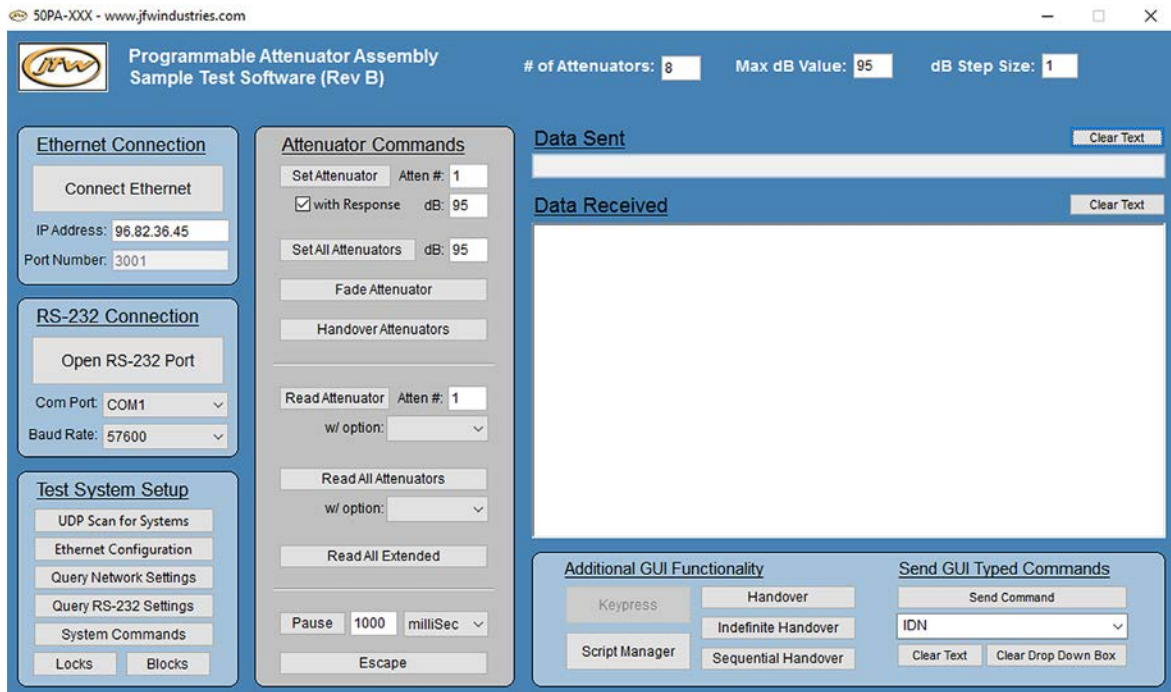
Setting a switch:

SS 2 4<CR> Set switch 2 to port J4
SS 5 1<CR> Set switch 5 to port J1

Reading a switch:

RS 1<CR> Read switch 1
Switch #1 = J2<CR><LF> Response from system

GUI



Default Interface Settings

- RS-232 port set at 57600 Baud, No flow control, 8 data bits, 1 stop bit, No parity
- Network interface set to DHCP mode
- No login password required for Serial or Network connections
- Prompts are turned off

Firmware Features

- DHCP capable
- Ethernet and RS-232 interfaces run simultaneously
- Multi-Threaded command process (i.e. non-blocking architecture)
- Up to 12 simultaneous Ethernet connections to the test system
- User configurable command line prompt
- Remotely accessible help files with command syntax and examples
- Command options such as Max dB (-M), Step Size (-S), Lock (-L), Block (-B), and Verbose (-V)
- The ability to escape out of erroneous Pause, Fade, and Handover commands
- Date feature that allows for time tracking with timestamp command option
- User comments can now be added to script files without interfering with script execution

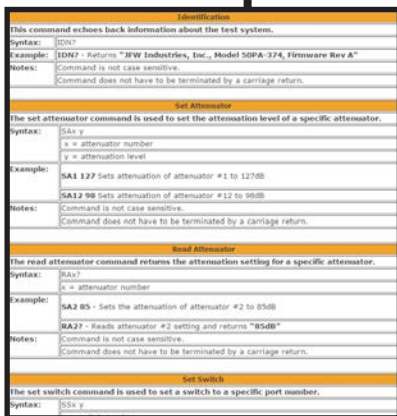
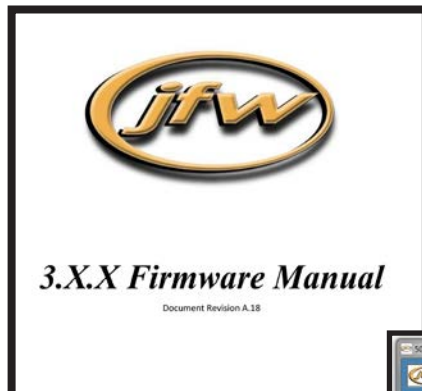
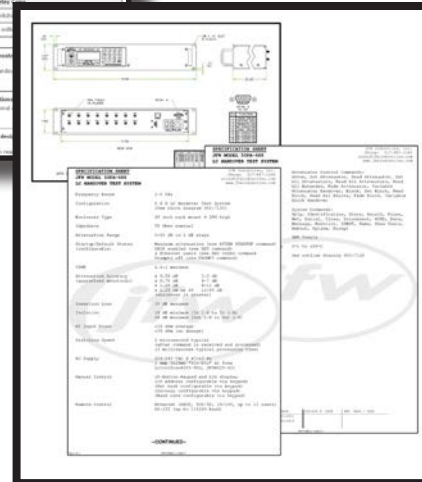
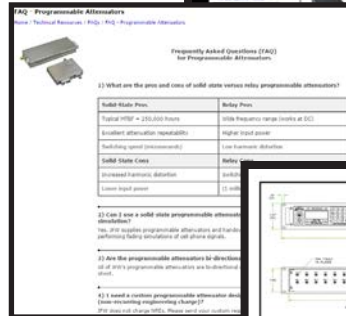
Additional Info and Support

Many interactive tools can be found on JFW's website.

www.jfwindustries.com

Some samples include:

- Find detailed specifications and drawings
- Requests new quotes
- Email engineering
- Answers to frequently asked questions
- Download an RF Conversion Tool
- Download firmware manual
- Download sample test programs
- Information on GPIB control



JFW Industries, Inc.
1 Commerce Square Drive
Indianapolis, IN 46237
Phone: 317-887-1340
www.jfwindustries.com



New Products

ATTENUATOR SYSTEMS FROM JFW SHIP IN 4 WEEKS OR LESS

JFW Industries is pleased to introduce our newest line of Ethernet-Controlled RF Attenuation Systems. This latest series of programmable attenuator assemblies is available in varying frequencies (as low as 30 MHz or up to 6 GHz), in 95 dB or 127 dB of dynamic range (in 1-dB steps), and with SMA or N connectors.



AND, IT'S ALL GUARANTEED TO SHIP IN 4 WEEKS.

Custom designs available.
(May affect lead time.)

CONFIGURABLE POWER DIVIDER for LAB USE

JFW is pleased to introduce our latest innovation in RF Test equipment.

The 50PDA-150-XX is a completely new approach to laboratory power divider assemblies. Its modular design can be specified at the time of order to include any number of combiner configurations. Each interchangeable module may include four 2-Ways, three 3-Ways, two 4-Ways, or one 8-Way (each assembly holds up to fourteen modules).





5134 Commerce Square Drive
Indianapolis, IN 46237

Call 317-887-1340

Toll Free 877-887-4JFW

Fax 317-881-6790

E-mail
sales@jfwindustries.com