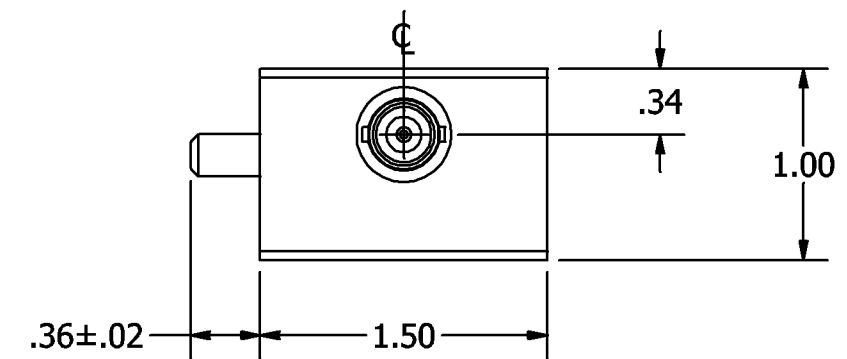
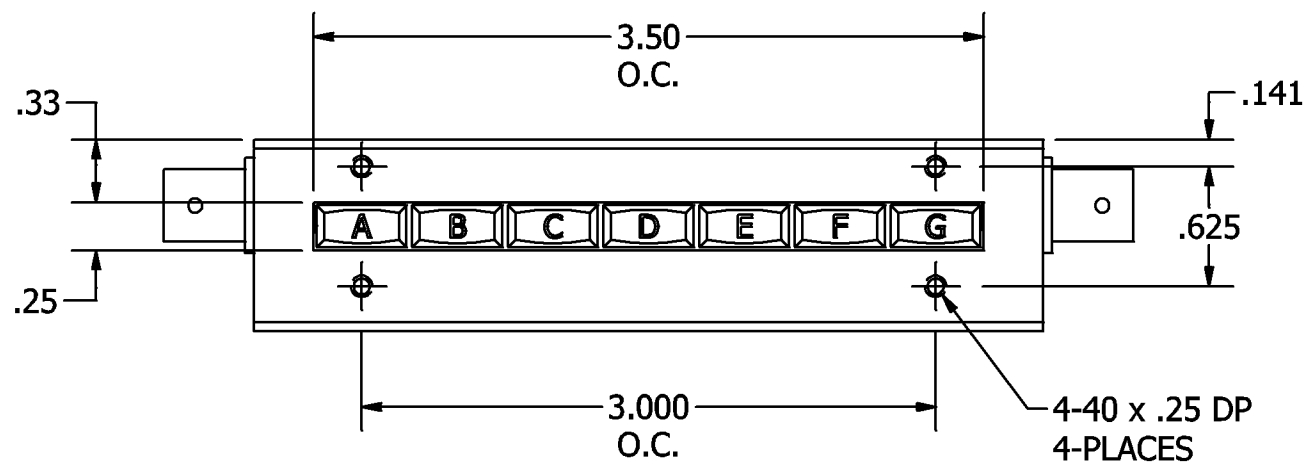
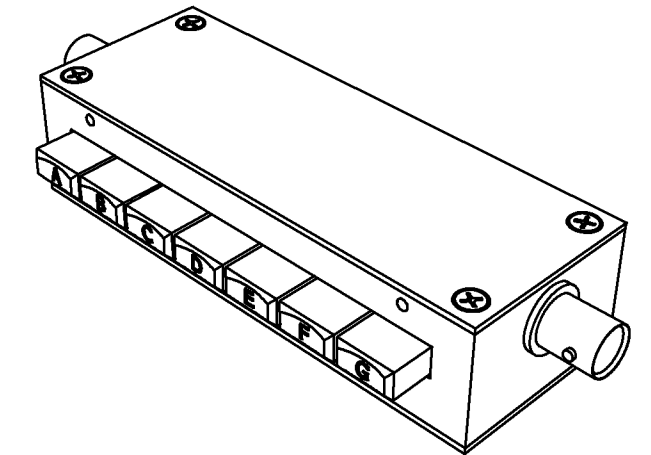
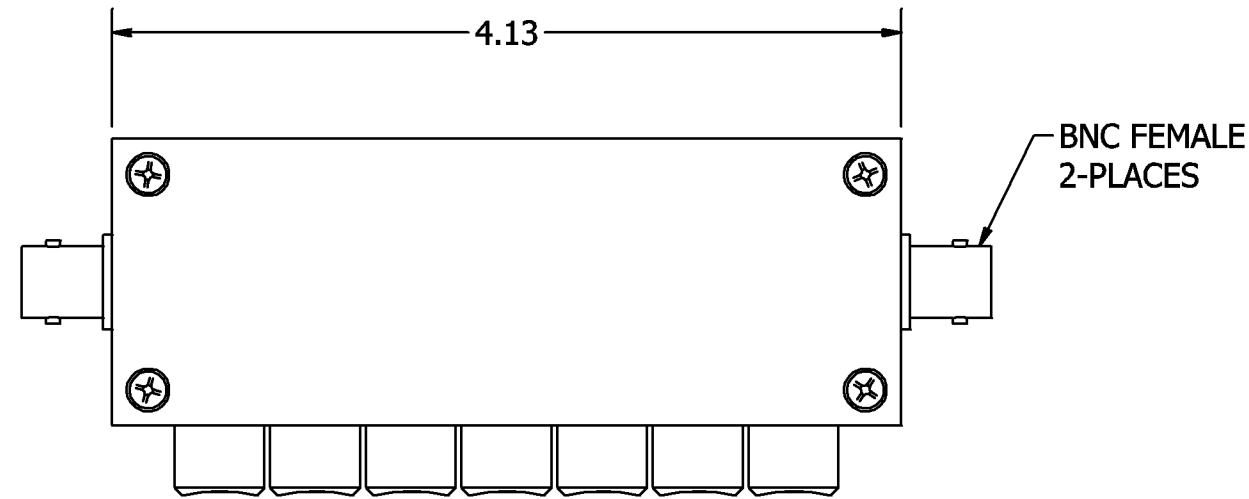


MODEL #	A	B	C	D	E	F	G
50B-001	1	2	4	8	10	20	20
50B-002	0.5	1	2	4	8	10	20
50B-042	1	2	4	8	10	20	20
75B-001	1	2	4	8	10	20	20
75B-002	0.5	1	2	4	8	10	20
75B-014	0.5	1	2	4	8	10	20
93B-001	0.5	1	2	4	8	10	20



REV	ECN	DATE	BY	APPR
-	ISSUED	-	-	-
A	-	6-5-84	JD	FDW
B	3922	3-30-93	TEZ	FDW
C	14701	9-13-07	TEZ	TRS
D	20438	8-10-11	TEZ	TEZ
E	23200	8-28-13	JZ	TEZ
F	24444	11-24-15	JZ	TEZ
G	32427	2-23-23	GM	JZ
H	33250	3-12-24	JZ	JZ



JFW INDUSTRIES, INC.

www.jfwindustries.com

PH: 317-887-1340

MATERIAL	BRASS	PROPRIETARY INFORMATION
FINISH	NICKEL	ALL SURFACES ARE TO BE FREE OF BURRS, PITS & SCRATCHES
MODEL	SEE CHART	TOLERANCES .XX±.010 .XXX±.005 XX°±.5°
SCALE	FULL	DWG #
DESCRIPTION	PUSHBUTTON ATTENUATOR	092-010