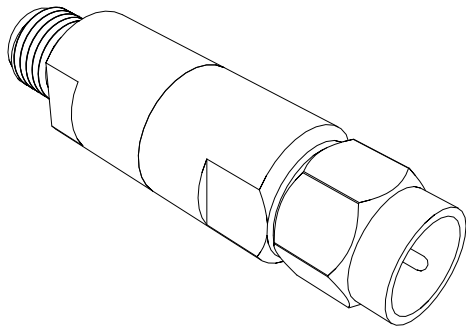
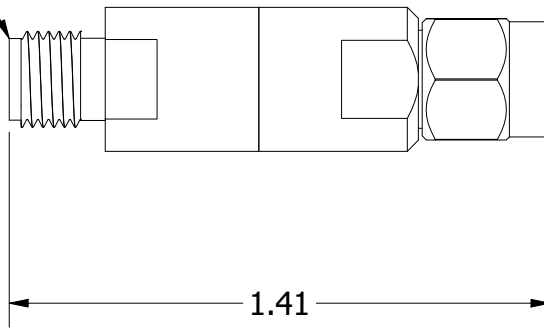


SMA FEMALE

SMA MALE



REV	ECN	DATE	BY	APPR
-	ISSUED	10-7-82	---	---
A	1104	3-6-85	PT	FDW
B	2389	3-5-89	PT	FDW
C	4162	2-25-94	PT	FDW
D	4700	7-10-95	PT	FDW
E	4908	2-29-96	CDJ	FDW
F	4944	4-3-96	CDJ	FDW
G	24444	9-9-19	GM	JZ



JFW INDUSTRIES, INC.

www.jfwindustries.com

PH: 317-887-1340

MATERIAL	PROPRIETARY INFORMATION
FINISH	ALL SURFACES ARE TO BE FREE OF BURRS, PITS & SCRATCHES
MODEL	SCALE x2
DESCRIPTION	TOLERANCES .XX±.010 .XXX±.005 XX°±.5° DWG #
SMA FEMALE / SMA MALE	
092-199	