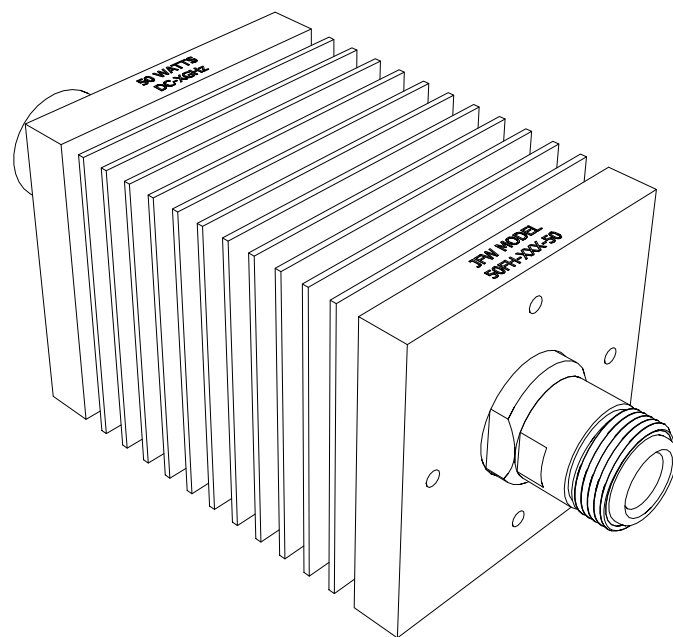


CONNECTOR	DIM. A ±.03
SMA MALE	.66
SMA FEMALE	.62
BNC MALE	.90
BNC FEMALE	.70
TNC MALE	.90
TNC FEMALE	.70
N MALE	1.05
N FEMALE	.83
7/16 MALE	1.91
7/16 FEMALE	1.83
4.1/9.5 MALE	1.05
4.1/9.5 FEMALE	1.05
4.3/10 MALE	1.16
4.3/10 FEMALE	1.12



NOTES: * INSERT ATTENUATION VALUE i.e. 030 = 30dB
 ** INSERT FREQ. RANGE i.e. 1 = 1GHz

REV	ECN	DATE	BY	APPR
-	ISSUED	11-30-83	---	---
A	2371	2-22-89	PT	TEZ
B	3740	9-15-92	TEZ	FDW
C	6231	4-24-00	CAM	TEZ
D	6989	1-24-02	CMB	TEZ
E	7547	9-2-03	TEZ	FDW
F	7639	11-12-03	TEZ	FDW
G	7697	12-29-03	BZ	TEZ
H	12597	4-4-06	TEZ	TEZ
J	13494	3-14-07	TEZ	BAC
K	21668	6-20-12	BZ	TEZ
L	26009	12-15-15	JZ	TEZ
M	24444	9-11-19	GM	JZ



JFW INDUSTRIES, INC.

www.jfwindustries.com

PH: 317-887-1340

MATERIAL	ALUMINUM ALLOY	PROPRIETARY INFORMATION
FINISH	BLACK ANODIZE	ALL SURFACES ARE TO BE FREE OF BURRS, PITS & SCRATCHES
MODEL	50FH-XXX-50	TOLERANCES .XX±.010 .XXX±.005 XX*±.5°
DESCRIPTION	FIXED ATTENUATOR	DWG #
		092-310