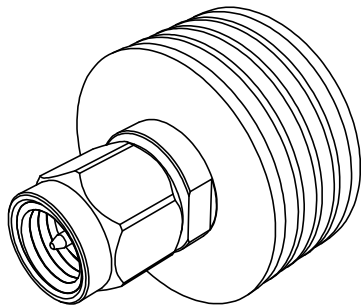
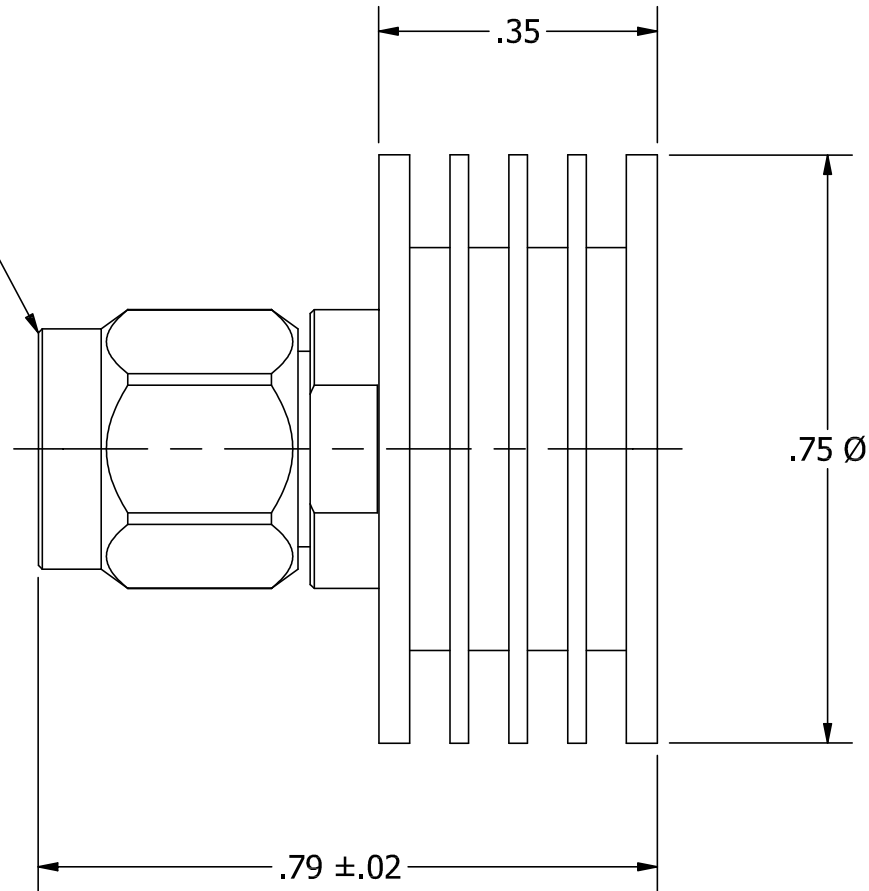


SMA MALE



REV	ECN	DATE	BY	APPR
-	ISSUED	6-13-2023	JZ	CLK
A	32900	10-4-2023	GM	JZ



**JFW INDUSTRIES, INC.**

[www.jfwindustries.com](http://www.jfwindustries.com)

PH: 317-887-1340

MATERIAL	BODY: ALUMINUM / CONNECTOR: STAINLESS STEEL	PROPRIETARY INFORMATION
FINISH	BODY: BLACK ANODIZE / CONNECTOR: PASSIVATED	ALL SURFACES ARE TO BE FREE OF BURRS, PITS & SCRATCHES
MODEL	50T-693	TOLERANCES .XX±.010 .XXX±.005 XX°±.5°
SCALE	x4	DWG #
DESCRIPTION	5 WATT TERMINATION	092-10076