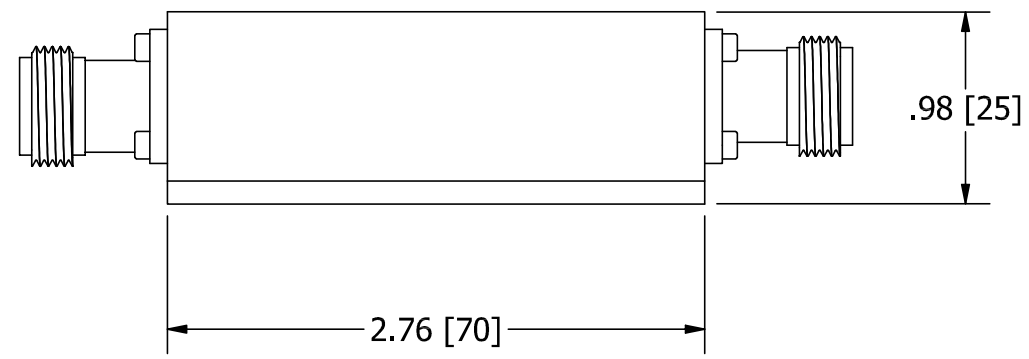
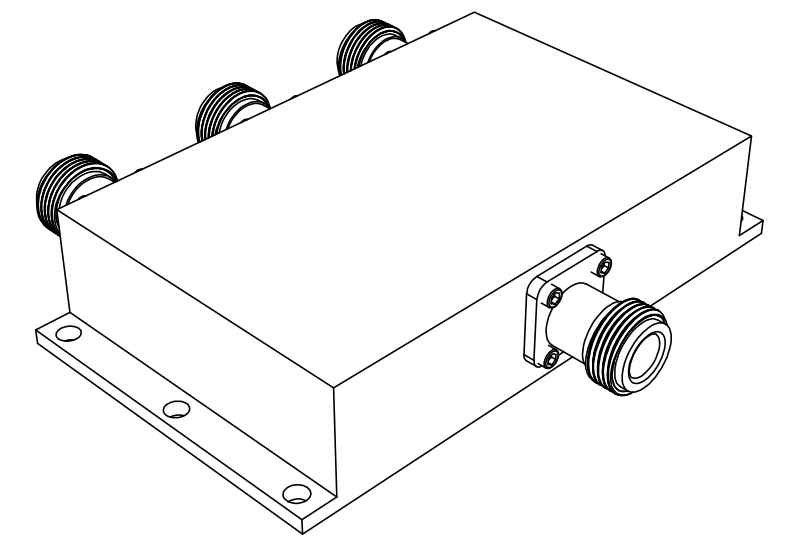
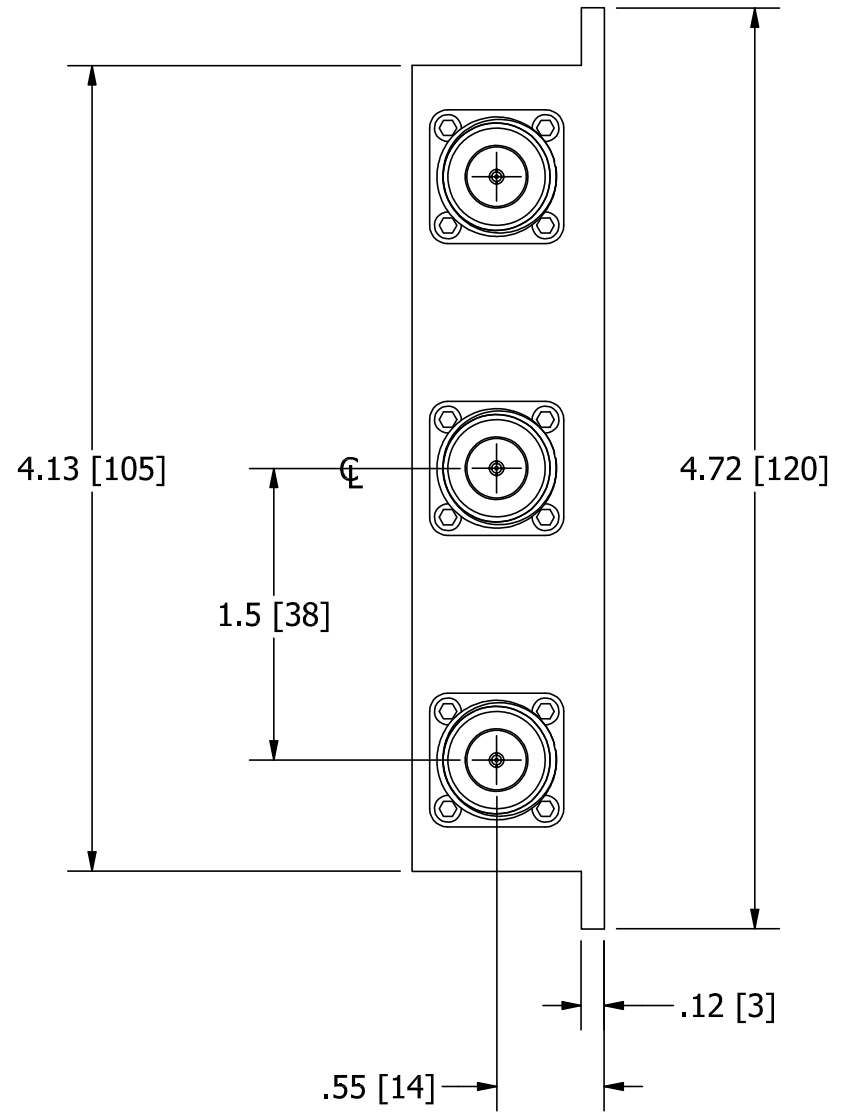


N FEMALE  
4-PLACES



NOTE: DIMENSIONS ARE IN INCHES [MILLIMETERS]

REV	ECN	DATE	BY	APPR
-	ISSUED	2-20-2024	GM	JZ



**JFW INDUSTRIES, INC.**

www.jfwindustries.com

PH: 317-887-1340

MATERIAL	ALUMINUM ALLOY	PROPRIETARY INFORMATION
FINISH	GRAY PAINT	ALL SURFACES ARE TO BE FREE OF BURRS, PITS & SCRATCHES
MODEL	50PD-XXX	TOLERANCES .XX±.010 .XXX±.005 XX°±.5°
DESCRIPTION	3 WAY POWER DIVIDER	DWG #
		092-10245