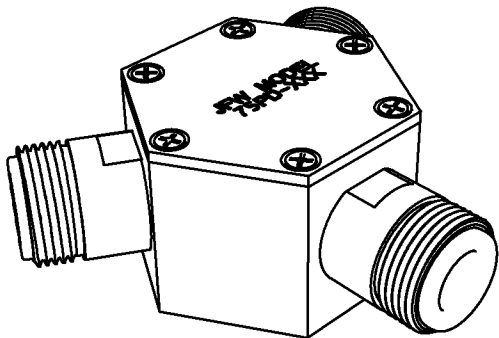
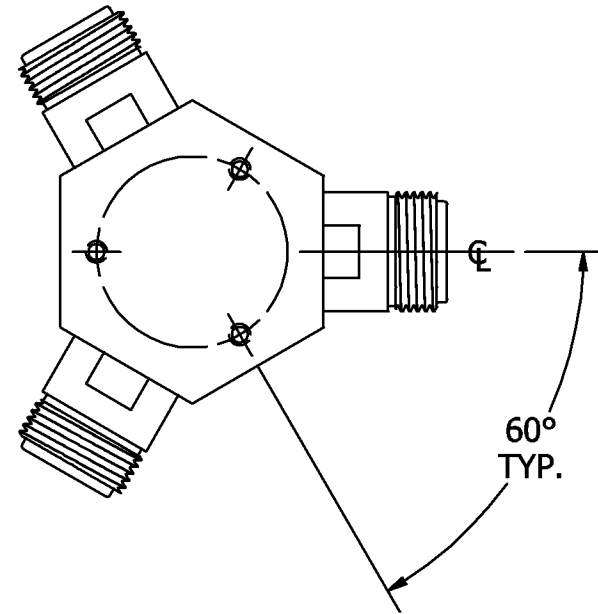
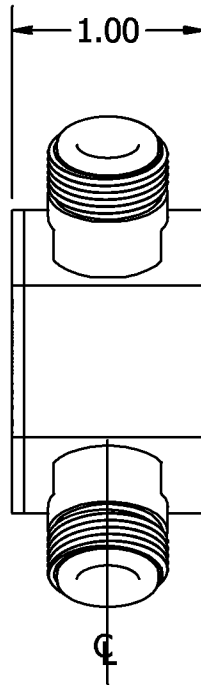


N FEMALE
3-PLACES



REV	ECN	DATE	BY	APPR
-	ISSUED	7-15-10	JZ	TRS
A	29445	4-1-19	JZ	TEZ
B	33702	4-1-25	JZ	JZ



JFW INDUSTRIES, INC.

www.jfwindustries.com

PH: 317-887-1340

MATERIAL	ALUMINUM ALLOY	PROPRIETARY INFORMATION
FINISH	CHEMFILM TCP	ALL SURFACES ARE TO BE FREE OF BURRS, PITS & SCRATCHES
MODEL	75PD-XXX	SCALE FULL
DESCRIPTION	2 WAY POWER DIVIDER / COMBINER (3 TOTAL PORTS)	TOLERANCES .XX±.010 .XXX±.005 XX°±.5° DWG # 092-2322-02