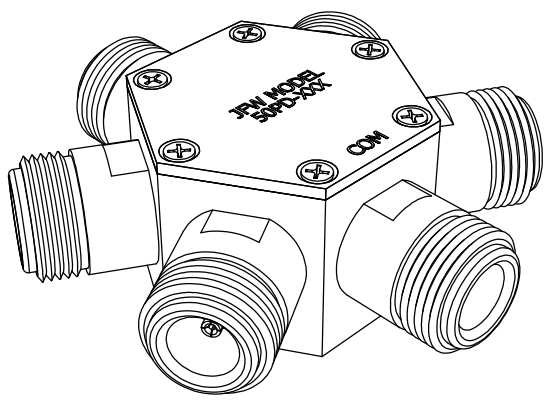
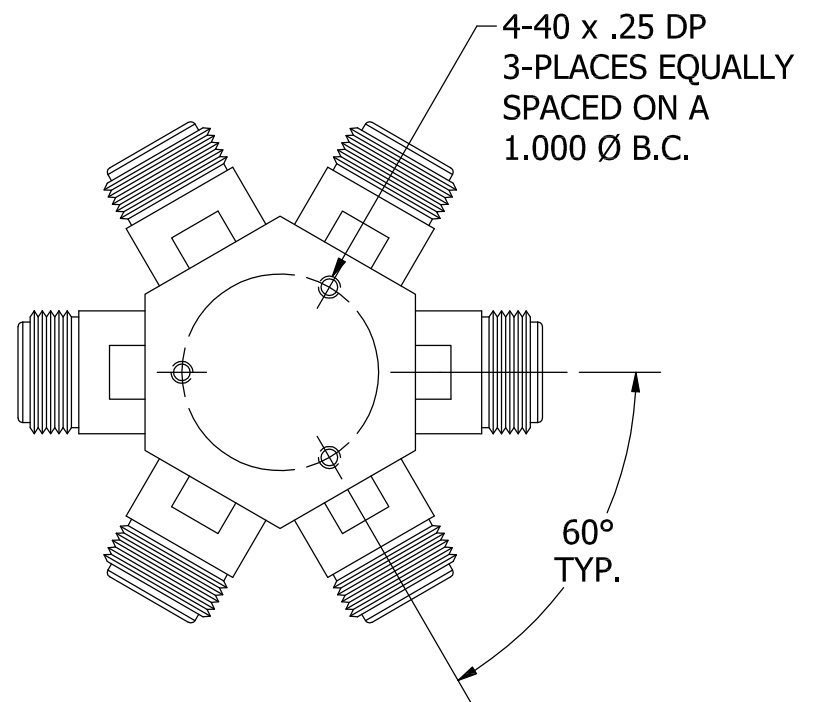
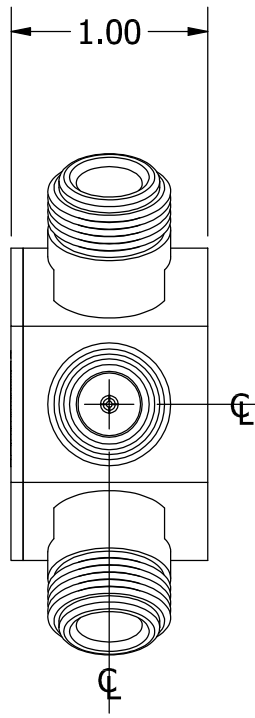


N FEMALE  
6-PLACES



REV	ECN	DATE	BY	APPR
-	ISSUED	7-15-10	JZ	TRS
A	24444	9-25-15	JZ	TEZ



**JFW INDUSTRIES, INC.**

[www.jfwindustries.com](http://www.jfwindustries.com)

PH: 317-887-1340

MATERIAL	ALUMINUM ALLOY	PROPRIETARY INFORMATION
FINISH	CHEMFILM TCP	ALL SURFACES ARE TO BE FREE OF BURRS, PITS & SCRATCHES
MODEL	50PD-XXX	TOLERANCES .XX±.010 .XXX±.005 XX°±.5°
DESCRIPTION	5 WAY POWER DIVIDER / COMBINER (6 TOTAL PORTS)	DWG # <b>092-2328-05</b>

SCALE FULL