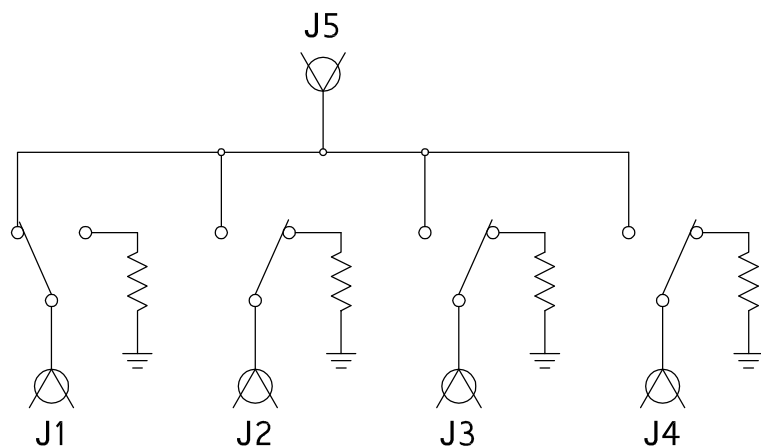
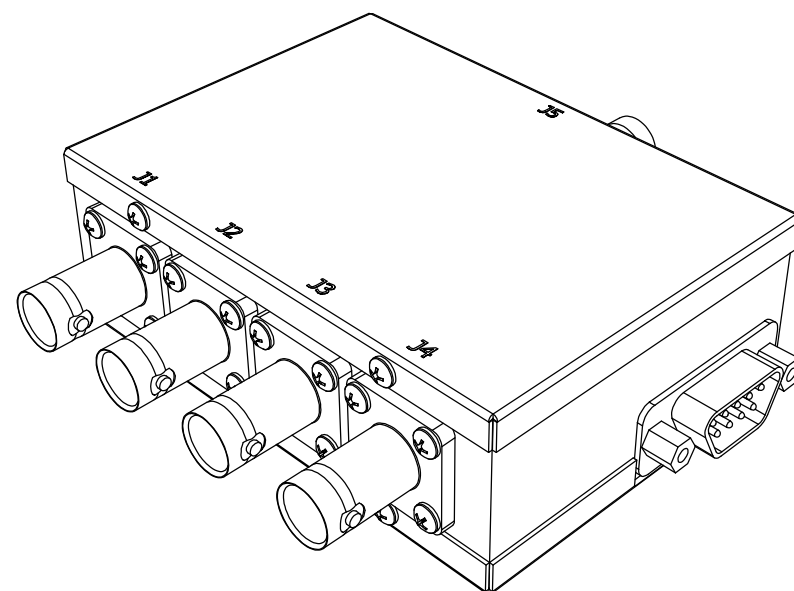


DETAIL A
DE-9P

PIN	FUNCTION
1	TTL CONT. 1
2	TTL CONT. 2
3	TTL CONT. 3
4	TTL CONT. 4
5	NO CONNECTION
6	NO CONNECTION
7	NO CONNECTION
8	+Vdc
9	GROUND



SHOWN WITH C1 ENERGIZED



REV	ECN	DATE	BY	APPR
-	ISSUED	5-15-97	CDJ	FDW
A	21077	12-27-11	JZ	BAC
B	21087	12-29-11	DBC	BAC
C	24444	12-18-15	JZ	TEZ



JFW INDUSTRIES, INC.

www.jfwindustries.com

PH: 317-887-1340

MATERIAL	BRASS	PROPRIETARY INFORMATION
FINISH	NICKEL	ALL SURFACES ARE TO BE FREE OF BURRS, PITS & SCRATCHES
MODEL	75S-XXX	TOLERANCES .XX±.010 .XXX±.005 XX°±.5°
DESCRIPTION	1P4T COAX. SWITCH	DWG #
		092-2599