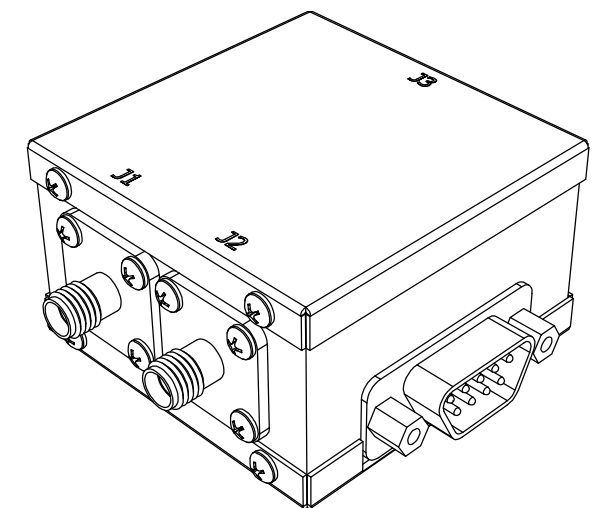


DETAIL A  
DE-9P



J3 TO:	C1	C2
J1	1	0
J2	0	1
OFF	0	0

PIN	FUNCTION
1	TTL CONT. 1
2	TTL CONT. 2
3	NO CONNECTION
4	NO CONNECTION
5	NO CONNECTION
6	NO CONNECTION
7	NO CONNECTION
8	+24 Vdc
9	GROUND

REV	ECN	DATE	BY	APPR
-	ISSUED	11-2-00	CMB	PT
A	6816	9-7-01	CMB	TEZ
B	7060	4-4-02	CMB	TEZ
C	7708	1-12-04	TEZ	TEZ
D	24444	12-3-15	JZ	TEZ



**JFW INDUSTRIES, INC.**

www.jfwindustries.com

PH: 317-887-1340

MATERIAL	BRASS	PROPRIETARY INFORMATION
FINISH	NICKEL	ALL SURFACES ARE TO BE FREE OF BURRS, PITS & SCRATCHES
MODEL	50S-XXXX	TOLERANCES .XX±.010 .XXX±.005 XX°±5°
DESCRIPTION	1P2T SWITCH	DWG #
		092-3506