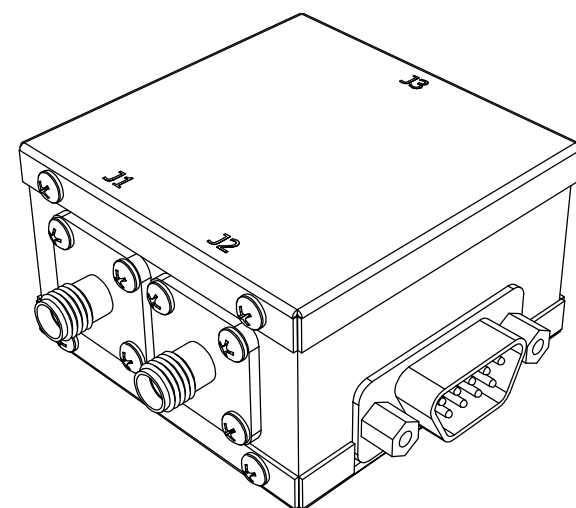


DETAIL A
DE-9P

| PIN | FUNCTION |
|-----|---------------|
| 1 | TTL CONTROL 1 |
| 2 | TTL CONTROL 2 |
| 3 | NO CONNECTION |
| 4 | NO CONNECTION |
| 5 | NO CONNECTION |
| 6 | NO CONNECTION |
| 7 | +5 Vdc |
| 8 | +24 Vdc |
| 9 | GROUND |

| J3 TO | C1 | C2 |
|-------|----|----|
| J1 | 1 | 0 |
| J2 | 0 | 1 |
| OFF | 0 | 0 |



| REV | ECN | DATE | BY | APPR |
|-----|--------|---------|-----|------|
| - | ISSUED | 7-30-10 | DTS | TRS |
| A | 24444 | 10-5-15 | BZ | TEZ |
| | | | | |
| | | | | |
| | | | | |
| | | | | |
| | | | | |
| | | | | |
| | | | | |
| | | | | |



JFW INDUSTRIES, INC.

www.jfwindustries.com

PH: 317-887-1340

| | | |
|-------------|-------------|--------------------------------------------------------|
| MATERIAL | BRASS | PROPRIETARY INFORMATION |
| FINISH | NICKEL | ALL SURFACES ARE TO BE FREE OF BURRS, PITS & SCRATCHES |
| MODEL | 50S-XXXX | TOLERANCES .XX±.010 .XXX±.005 XX°±5° |
| DESCRIPTION | 1P2T SWITCH | DWG # 092-3725-24 |