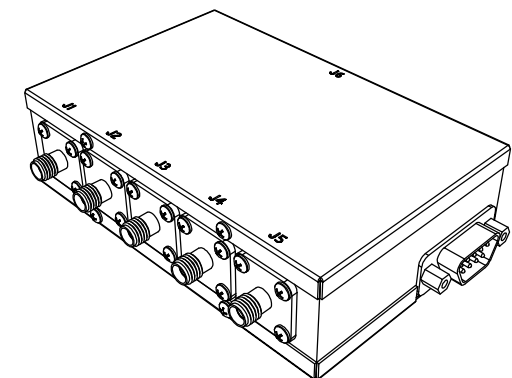


DETAIL A  
DE-9P

| PIN | FUNCTION      |
|-----|---------------|
| 1   | TTL CONT. 1   |
| 2   | TTL CONT. 2   |
| 3   | TTL CONT. 3   |
| 4   | TTL CONT. 4   |
| 5   | TTL CONT. 5   |
| 6   | NO CONNECTION |
| 7   | +5 Vdc        |
| 8   | +24 Vdc       |
| 9   | GROUND        |

| J6 TO: | C1 | C2 | C3 | C4 | C5 |
|--------|----|----|----|----|----|
| J1     | 1  | 0  | 0  | 0  | 0  |
| J2     | 0  | 1  | 0  | 0  | 0  |
| J3     | 0  | 0  | 1  | 0  | 0  |
| J4     | 0  | 0  | 0  | 1  | 0  |
| J5     | 0  | 0  | 0  | 0  | 1  |



| REV | ECN    | DATE     | BY  | APPR | MATERIAL    |  | PROPRIETARY INFORMATION                                |      |
|-----|--------|----------|-----|------|-------------|--|--|------|
| -   | ISSUED | 4-19-91  | CDJ | TEZ  | BRASS       |  | ALL SURFACES ARE TO BE FREE OF BURRS, FITS & SCRATCHES |      |
| A   | 7392   | 4-4-92   | CMH | TEZ  | NICKEL      |  | TOLERANCES<br>.XX±.010 .XXX±.005 .XX'±.5"              |      |
| B   | 24444  | 11-30-15 | JZ  | TEZ  | 50S-XXXX    |  | SCALE  | FULL |
|     |        |          |     |      | DESCRIPTION |  | 1P5T COAXIAL SWITCH                                    |      |
|     |        |          |     |      |             |  | 092-3726   |      |



**JFW INDUSTRIES, INC.**

www.jfwindustries.com

PH: 317-887-1340

PROPRIETARY INFORMATION

ALL SURFACES ARE TO BE FREE OF BURRS, FITS & SCRATCHES

TOLERANCES  
.XX±.010 .XXX±.005 .XX'±.5"

DWG #