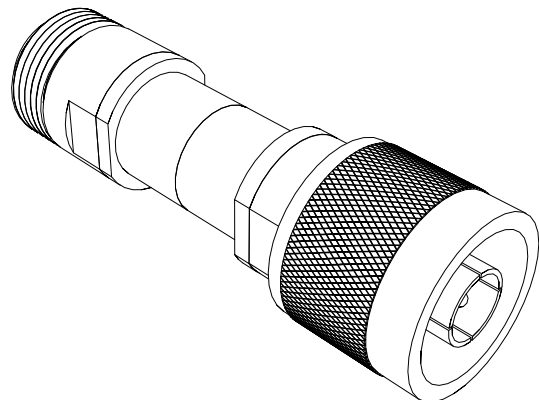
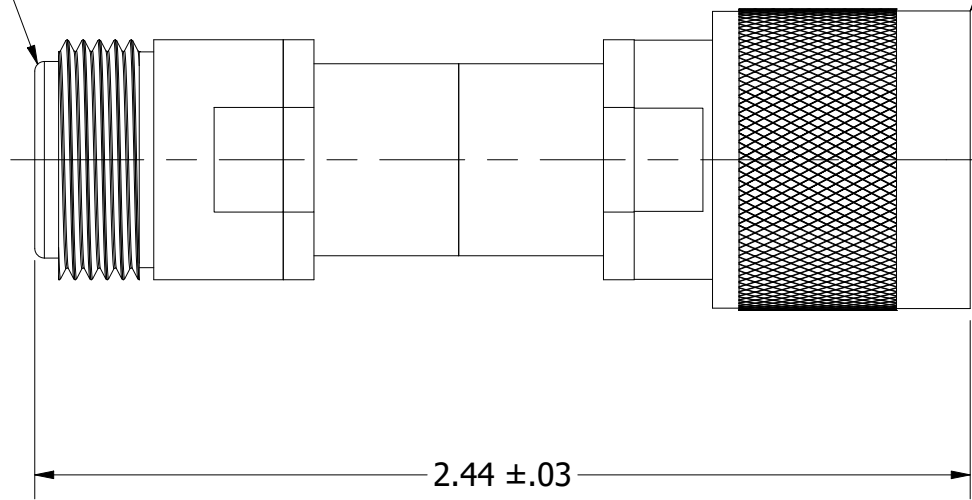


N FEMALE

N MALE



REV	ECN	DATE	BY	APPR
-	ISSUED	3-3-03	TEZ	TEZ
A	7558	9-22-03	TEZ	TEZ
B	14315	6-26-07	TEZ	TEZ
C	24444	9-12-19	GM	JZ



JFW INDUSTRIES, INC.

www.jfwindustries.com

PH: 317-887-1340

MATERIAL	PROPRIETARY INFORMATION
FINISH	ALL SURFACES ARE TO BE FREE OF BURRS, PITS & SCRATCHES
MODEL	TOLERANCES
DESCRIPTION	.XX±.010 .XXX±.005 XX°±.5°
	DWG #
N FEMALE / N MALE	092-4159

SCALE
x2