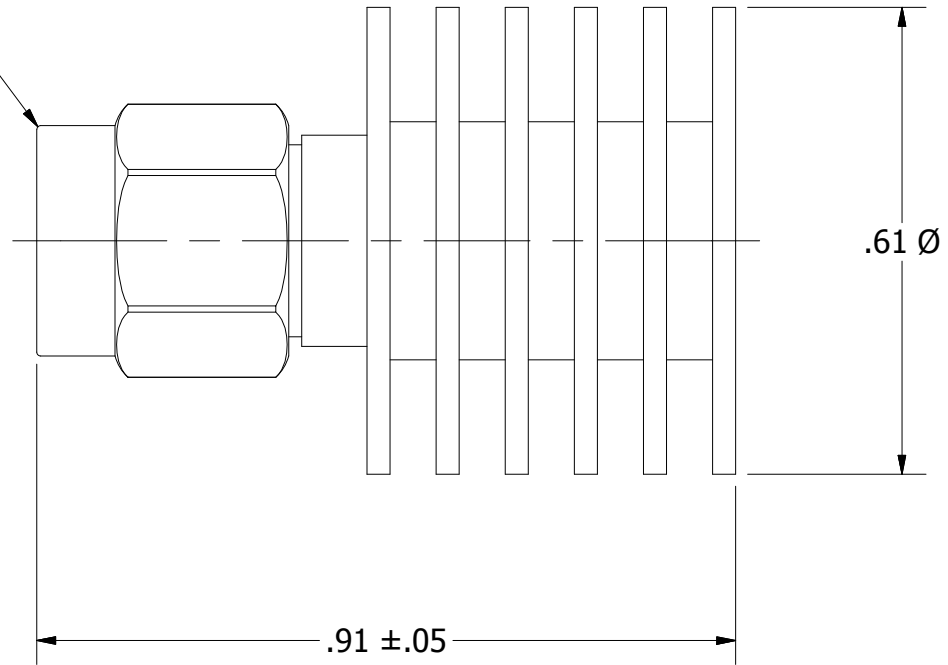
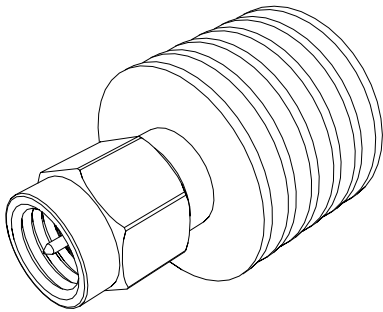


SMA MALE



**NOTES**

CONNECTOR: PASSIVATED STAINLESS STEEL  
HEATSINK: BLACK ANODIZED ALUMINUM ALLOY



REV	ECN	DATE	BY	APPR
-	ISSUED	2-13-04	BZ	TEZ
A	27788	5-15-17	TEZ	TEZ



**JFW INDUSTRIES, INC.**

[www.jfwindustries.com](http://www.jfwindustries.com)

PH: 317-887-1340

MATERIAL	SEE NOTE	PROPRIETARY INFORMATION
FINISH	SEE NOTE	ALL SURFACES ARE TO BE FREE OF BURRS, PITS & SCRATCHES
MODEL	50T-128	TOLERANCES .XX±.010 .XXX±.005 XX°±.5°
DESCRIPTION	5 WATT TERMINATION	DWG # 092-4404
SCALE	4x	