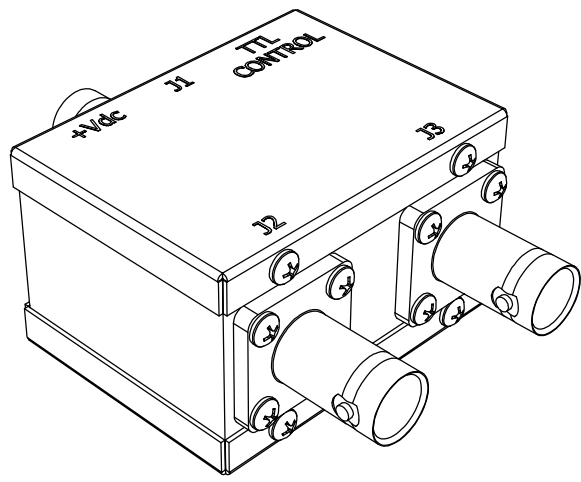



SHOWN WITH NO POWER APPLIED



REV	ECN	DATE	BY	APPR
-	ISSUED	3-18-04	BZ	TEZ
A	24444	12-21-15	JZ	TEZ
B	26717	6-14-16	JZ	TEZ

		<h1>JFW INDUSTRIES, INC.</h1> <p>www.jfwindustries.com PH: 317-887-1340</p>	
FINISH	NICKEL	ALL SURFACES ARE TO BE FREE OF BURRS, PITS & SCRATCHES	
MODEL	75S-XXX	SCALE	FULL
DESCRIPTION	1P2T COAX. SWITCH	TOLERANCES .XX±.010 .XXX±.005 XX°±.5°	
		DWG #	
		092-4430	