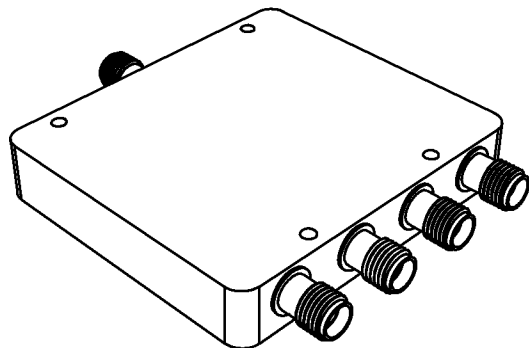


NOTE: DIMENSIONS ARE IN INCHES [MILLIMETERS]



REV	ECN	DATE	BY	APPR
-	ISSUED	7-11-05	BZ	TEZ
A	11652	8-8-05	LT	TEZ
B	11876	9-16-05	LT	TEZ
C	12164	11-22-05	BZ	TEZ
D	19766	2-25-11	BZ	TEZ
E	24444	10-5-15	JZ	TEZ



JFW INDUSTRIES, INC.

www.jfwindustries.com

PH: 317-887-1340

MATERIAL	ALUMINUM ALLOY	PROPRIETARY INFORMATION
FINISH	GRAY EPOXY PAINT	ALL SURFACES ARE TO BE FREE OF BURRS, PITS & SCRATCHES
MODEL	50PD-XXX	SCALE FULL
DESCRIPTION	4 WAY POWER DIVIDER / COMBINER	TOLERANCES .XX±.010 .XXX±.005 XX°±.5° DWG #
		092-4857