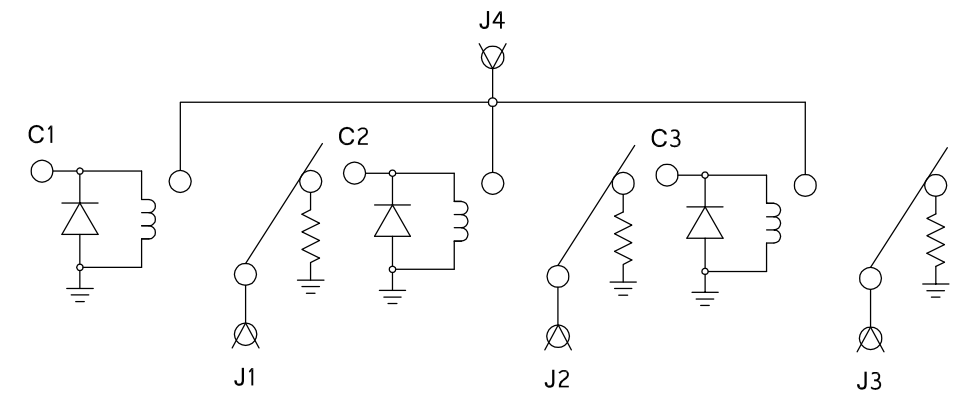



J4 TO:	C1	C2	C3
J1	1	0	0
J2	0	1	0
J3	0	0	1



REV	ECN	DATE	BY	APPR	 <b>JFW INDUSTRIES, INC.</b> <a href="http://www.jfwindustries.com">www.jfwindustries.com</a> PH: 317-887-1340		
-	ISSUED	3-29-07	BZ	TEZ	MATERIAL	BRASS	PROPRIETARY INFORMATION
A	14113	4-26-07	BZ	TEZ	FINISH	NICKEL	ALL SURFACES ARE TO BE FREE OF BURRS, PITS & SCRATCHES
B	14322	6-27-07	BZ	TEZ	MODEL	75S-XXX	TOLERANCES .XX±.010 .XXX±.005 XX°±5°
C	24444	12-21-15	JZ	TEZ	DESCRIPTION	1P3T SWITCH	DWG # 092-5374
						SCALE FULL	