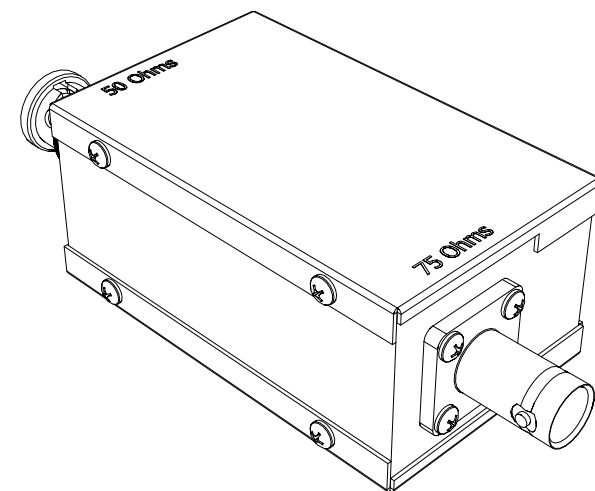
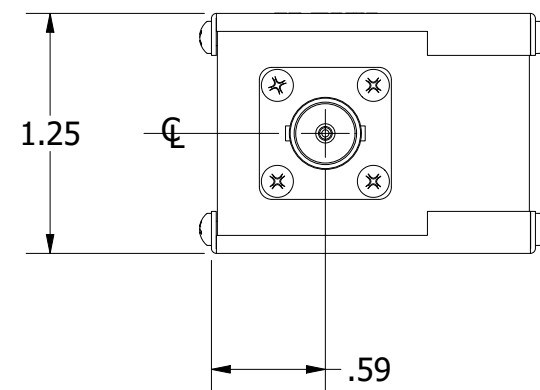
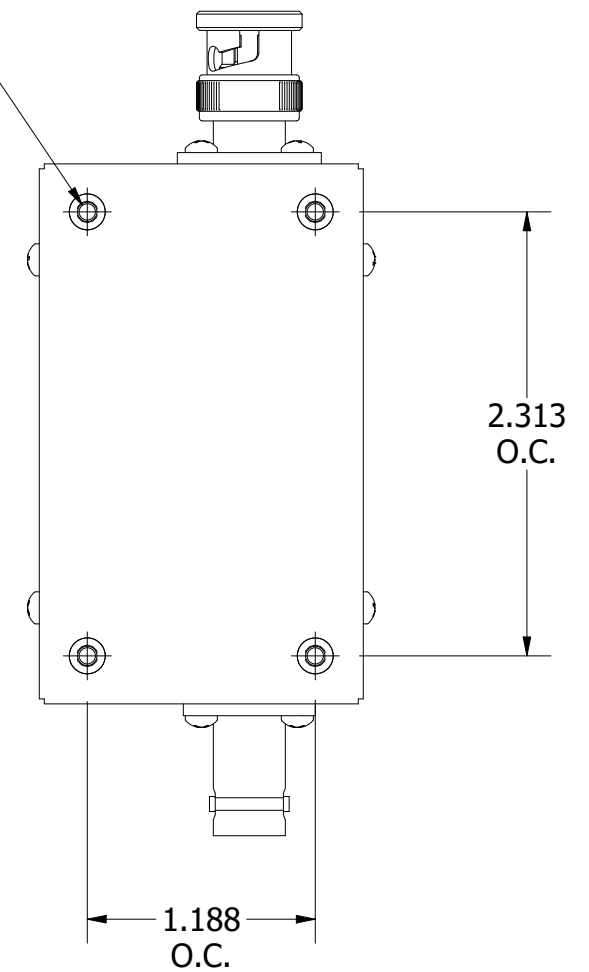


4-40 x .25 DP  
4-PLACES



REV	ECN	DATE	BY	APPR
-	ISSUED	4-2-08	TEZ	TEZ
A	18967	8-6-10	DBC	BAC
B	24444	9-16-19	GM	TEZ



**JFW INDUSTRIES, INC.**

[www.jfwindustries.com](http://www.jfwindustries.com)

PH: 317-887-1340

MATERIAL	BRASS	PROPRIETARY INFORMATION
FINISH	NICKEL	ALL SURFACES ARE TO BE FREE OF BURRS, PITS & SCRATCHES
MODEL		TOLERANCES
DESCRIPTION	IMPEDANCE MATCHING TRANSFORMER	.XX±.010 .XXX±.005 XX°±.5°
		DWG #
		092-5752