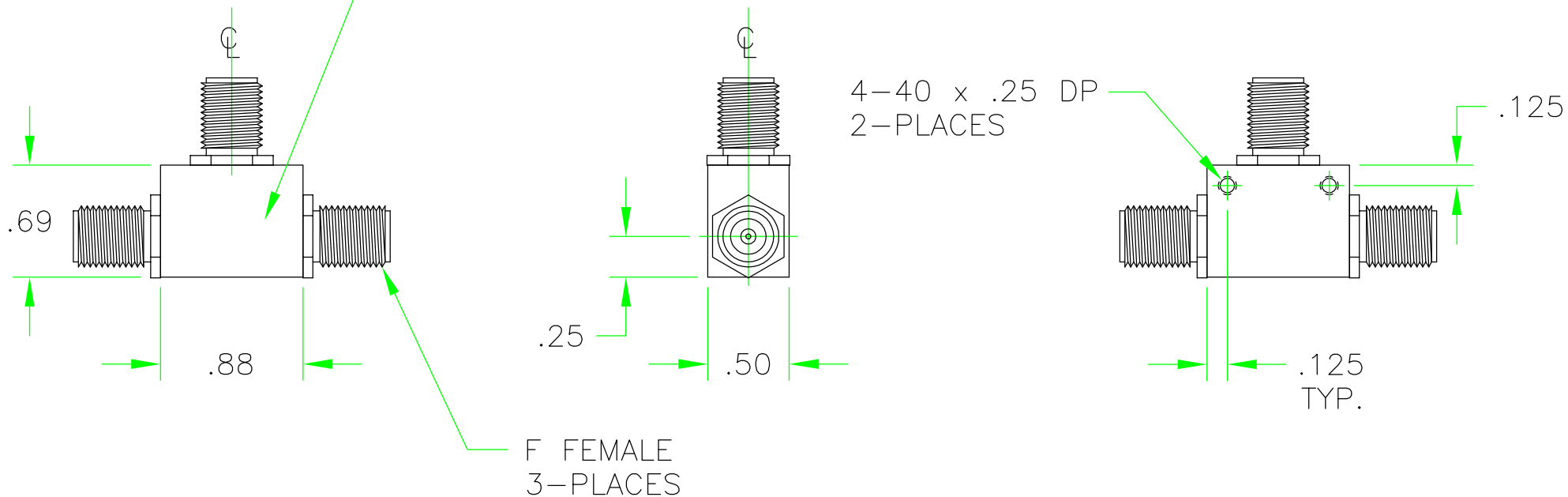



MODEL NUMBER AND
DESCRIPTION TO BE
MARKED ON THIS SURFACE



				JFW INDUSTRIES, INC. INDIANAPOLIS, IN		PROPRIETARY INFORMATION ALL SURFACES ARE TO BE FREE OF BURRS, PITS, & SCRATCHES	
REV	ECN	DATE	BY	DRAWN BY	B. ZEIHEN	DATE	7-14-08
				APP'D BY		SCALE	FULL
				MATERIAL	ALUMINUM ALLOY		
				FINISH	CHEMFILM TCP		
				DESCRIPTION	BIAS T 75BT-XXX POWER DIVIDER 75PD		
							TOLERANCES FRACTIONAL DIM. \pm 1/64 2 PLACE DECIMAL \pm .010 3 PLACE DECIMAL \pm .005 ANGULAR DIM. \pm 1/2°
							DWG NO. 092-5847