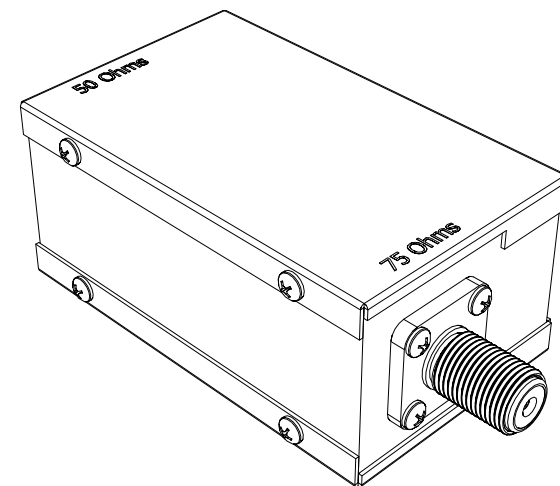
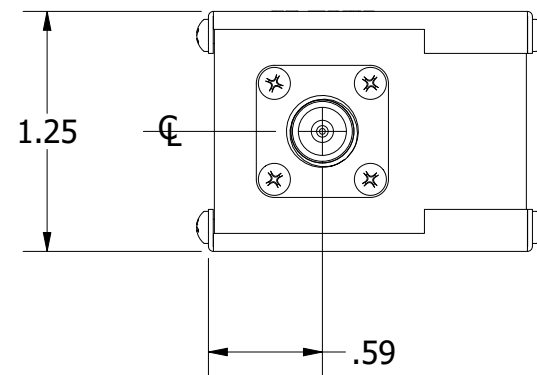
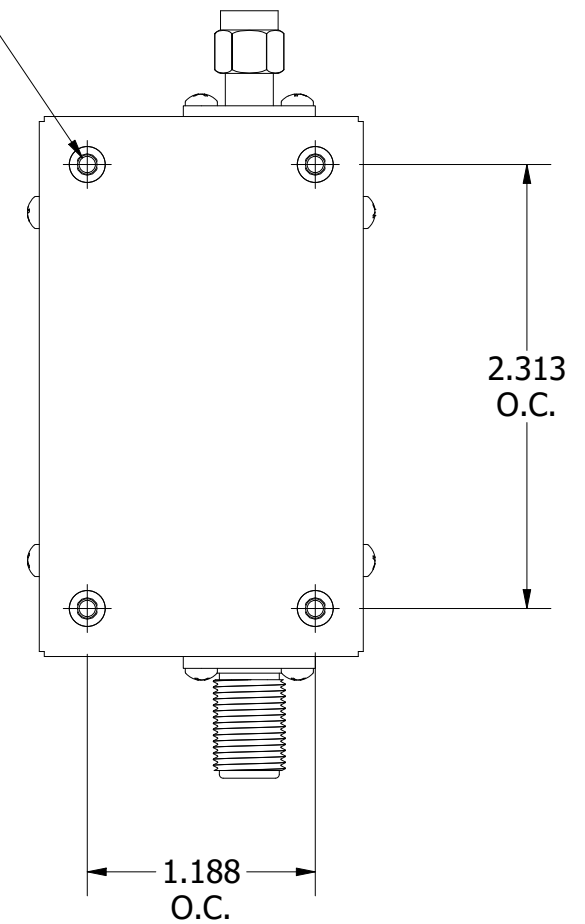


4-40 x .25 DP
4-PLACES



REV	ECN	DATE	BY	APPR
-	ISSUED	4-2-08	BZ	TEZ
A	18968	8-6-10	DBC	BAC
B	24444	9-16-19	GM	TEZ



JFW INDUSTRIES, INC.

www.jfwindustries.com

PH: 317-887-1340

MATERIAL	BRASS
FINISH	NICKEL
MODEL	SCALE FULL
DESCRIPTION	IMPEDANCE MATCHING TRANSFORMER

PROPRIETARY INFORMATION
ALL SURFACES ARE TO BE FREE OF BURRS, PITS & SCRATCHES
TOLERANCES
.XX±.010 .XXX±.005 XX°±.5°
DWG #

092-6023