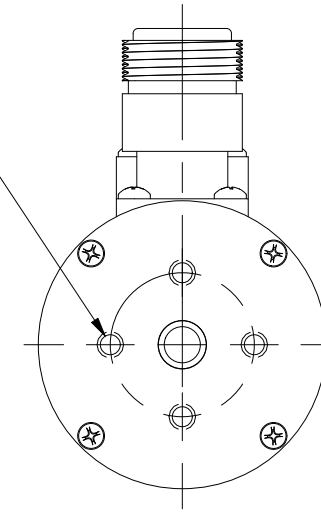
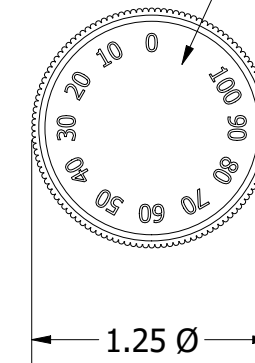
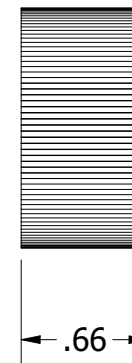


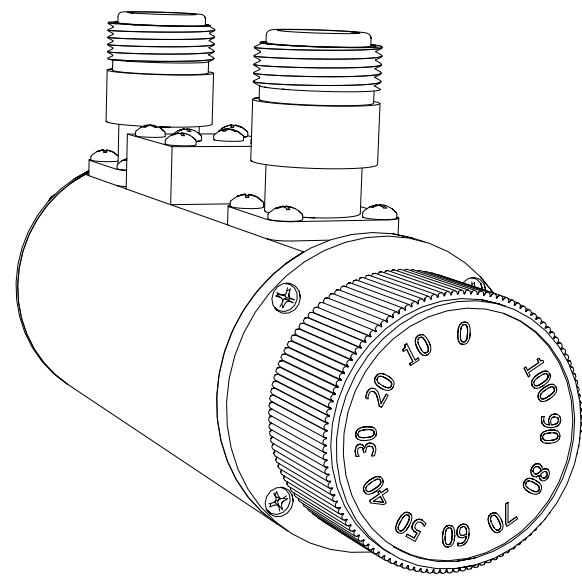
6-32 x .19 DP  
4-PLACES ON  
A .750 Ø B.C.



KNOB MARKED PER UNIT  
0-100 dB x 10 dB SHOWN



KNOB DETAIL



REV	ECN	DATE	BY	APPR
-	ISSUED	6-10-09	BZ	TRS
A	24444	9-17-19	GM	TEZ



**JFW INDUSTRIES, INC.**

www.jfwindustries.com

PH: 317-887-1340

MATERIAL	ALUMINUM ALLOY	PROPRIETARY INFORMATION
FINISH	CHEMFILM TCP	ALL SURFACES ARE TO BE FREE OF BURRS, PITS & SCRATCHES
MODEL	50R-XXX	TOLERANCES .XX±.010 .XXX±.005 XX°±.5°
DESCRIPTION	ROTARY ATTENUATOR	DWG # 092-6200-03